

condensing
Units

R-134a
R-404A/R-507
R-22
R-290

embraco



Index	Page
1 - General	04
2 - Features and Benefits	04
3 - Technical Instructions / Installation Precautions	04
3.1 - General Information	04
3.2 - Basic Installation - Overview	04
3.3 - Installation Steps	04
3.4 - Cleaning the System	05
3.5 - Recommendations for Brazing (welding) the System	05
3.6 - Leakage Detection	05
3.7 - System Evacuation	05
3.8 - Procedures for Refrigerant Charge	05
3.9 - Piping	06
3.10 - Basic Accessories of a Cooling System	06
3.11 - Electrical Connections	07
PERFORMANCES TABLES	08
R-134a - LBP	08
R-404A / R-507 - LBP	08
R-22 - LBP	10
R-290 - LBP	10
R-134a - HBP	12
R-22 - M/HBP	14
R-404A / R-507 - MBP	16
R-290 - HBP	16
GEMINI R-404A - LBP	18
GEMINI R-134a - M/HBP	18
GEMINI R-404A - M/HBP	18
ARMONIA R-22 - LBP	20
ARMONIA R-404A / R-507 - LBP	20
ARMONIA R-22 - M/HBP	20
ARMONIA R-404A / R-507 - M/HBP	20
ARMONIA GEMINI R-404A / R-507 - LBP	21
ARMONIA GEMINI R-22 - M/HBP	21
ARMONIA GEMINI R-404A / R-507 - M/HBP	21
GENERAL INFORMATION	22
AVAILABLE ACCESSORIES	23
R-134a - LBP	23
R-404A / R-507 - LBP	23
R-22 - LBP	23
R-134a - HBP	23
R-22 - M/HBP	24
R-404A / R-507 - MBP	24
GEMINI	24
EXTERNAL VIEWS - STANDARD VERSIONS	25
WIRING DIAGRAMS	30
VALVES	33
NOMENCLATURE	34

Condensing Unit

1) - General

This catalog contains information on Embraco Condensing Units designed specifically for application in Europe and North America.

The line of Embraco Condensing Units was designed in accordance with the strictest quality and reliability standards, available for a wide range of applications, varying from 1/7 HP to 2 HP in medium, low and high evaporating temperature applications, with R-22, R-134a, R-404A / R-507 and R-290.

Your best choice in Condensing Units

Embraco Condensing Units are capable of addressing any need, starting from 1/7 HP. The units are based on dependable hermetic compressors, and are built in order to provide durability, high performance and low sound level.

Developed for use in a variety of cooling systems, Embraco Condensing Units are applied in undercounter refrigeration, liquid coolers, water cooling units, commercial freezers and refrigerators, walk-in coolers, ice-makers, vending machines, ice-cream dispensers, display cases, etc.

2) - Features and Benefits

All Units

- Complete line from 1/7 to 2 HP
- Units available for R-134a, R-22, R-404A / R-507 and R-290
- 100% factory tested
- Reliable, quiet and efficient hermetic compressors
- Corrosion resistant materials
- Oversized aluminum fin, copper tube condenser, capable of operating under high ambient temperatures and pressures
- UL approved for 60Hz version
- Customizable design (external casing, accessories)
- Low maintenance
- ROHS free, PED 97/23/CE - clause 3 par. 3
- Great ecological appeal

3) - Technical Instructions / Installation Precautions

The instructions below are general guidelines, but they do contain the major points that shall be taken into account for proper and safe product installation, in order to assure the best performance and the equipment warranty.

Caution: Refrigeration systems are pressurized circuits, and it is of utmost importance that the condensing units are removed and installed only by technically qualified persons, knowledgeable about the equipment and procedures employed.

3.1) - General Information

Inspect the unit for any damage that may have occurred during shipping. If damage is present, report to the carrier immediately. To prevent loss, check in the box for any loose bag accessories, which may not be attached to the unit.

Only store, transport or install the condensing units in the proper position (right side up).

Warning: Make sure you have read and understand all procedures and caution messages before you execute any maintenance or installation tasks! It is imperative – for your own safety - that the testing devices used are functioning well and properly sized.

3.2) - Basic Installation – Overview

The installation site shall be well ventilated, ensuring that there will be sufficient air flow behind the condenser (refer to figure 1).

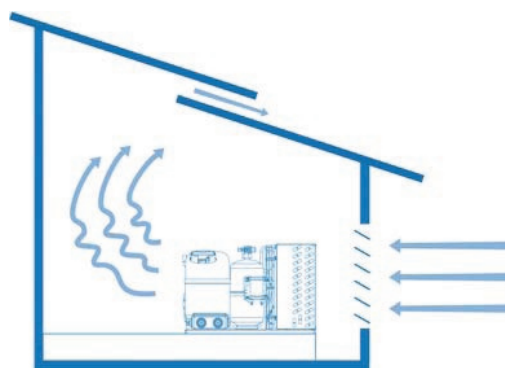


Figure 1 – Natural air flow through the roof

If the air flow to the condenser is restricted (even partly blocked), the performance of the system and reliability can be drastically reduced.

Embraco Condensing Units are designed to operate under room temperature up to 43°C (110°F). Therefore, make sure that the temperature at the installation site does not exceed the recommended limit.

Attention: You must clean the condenser periodically, so that no particles will impair or block air circulation.

Attention: You must keep attention for unit with explosive refrigerant.

3.3) - Installation Steps

- 3.3.1 - Select and size the equipment needed to assemble the refrigeration system, according to the project specifications (piping, valves, accessories, condenser unit). Carefully observe the application range for each model.
- 3.3.2 - Start by soldering the piping. After you have soldered the piping connections to the condensing unit and evaporator, perform the leak tests in all brazed or threaded joints.
- 3.3.3 - Evacuate the entire system (refer to item 3.7).
- 3.3.4 - Charge the refrigerant, preferably in liquid form, according to the required cooling gas mass (kg). (Refer to item 3.8).
- 3.3.5 - Switch the condensing unit on and access the system, monitoring the low and high pressures, temperature of the suction and liquid lines. Complete the cooler load if necessary.

3.3.6 - When the temperature inside the cooling system (chamber, conditioned environment) approaches the project value, proceed with the final adjustments, setting the system for continuous operation at full load.

3.3.7 - The superheating at the evaporator (given by the difference between temperatures at the piping surface at the point where the expansion valve's bulb is fixed, and the evaporation temperature*) shall be between 5°C and 10°C (9°F and 18°F). Superheating at the compressor's inlet must be between 10°C and 15°C (18°F and 27°F) for this case, the difference between the temperature at the surface of the return pipe, at a distance 150 mm (6") from the compressor, and the evaporation temperature. The sub-cooling in the condenser shall be between 3°C and 10°C (5°F and 18°F), i.e., the condensing temperature less the temperature at the pipe's surface at the condenser's outlet.

* Evaporation temperature obtained by converting the suction pressure into temperature.

3.4) - Cleaning the System

Cleaning the system before installing a new condensing unit is mandatory to completely remove residues and other contaminants.

The cleaning procedure for an installation process may be carried out by flushing the system with R-141b. Embraco recommends the installation of a filter-dryer at the suction line during the cleaner operation to retain and filter any undesired particles.

3.5) - Recommendations for Brazing (welding) the System

Circulate nitrogen (N₂) through the pipes, with an internal pressure from 1 to 2 psig, to prevent oxidation and to avoid scales from forming, ensuring that the piping is free from any contaminants (oil, grease, oxides).

Use a damp cloth when welding the valves, fittings and pipes, to prevent overheating the components through heat propagation.

The compressor and the filter-dryer are extremely susceptible to humidity. As such, they shall only be opened during installation, leaving them exposed to air for a maximum of 10 minutes to open air.

3.6) - Leakage Detection

During the system leakage tests, never pressurize the pipes using air, oxygen or acetylene. There is a potential risk of fire and/or explosion.

After the installation is finished, pressurize the system to 100 psig (never use pressures higher than 150 psig, so as not to damage the low pressure switch), using nitrogen and/or a small refrigerant charge.

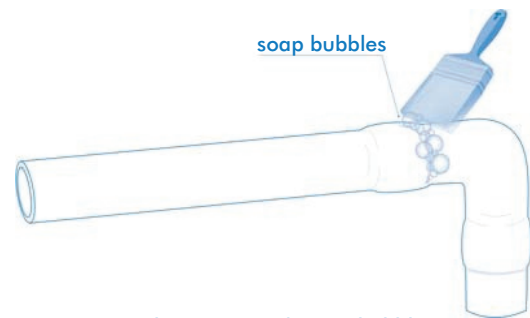


Figure 2 – Leakage tests with soap bubbles

Check for leaks using an electronic detector or a halide detector (torch). An alternative method is to check leakage with soap bubbles. When all fittings are properly installed, depressurize the system and go to the next step.

3.7) - System Evacuation

Warning: Never use the compressor itself to evacuate the system, nor energize the system when it is under vacuum, as it may cause the compressor to short-circuit.

To evacuate the system, use a high vacuum pump and a vacuum gage. The system shall be evacuated up to 200() Hg or less. In any case, at least 20 minutes of vacuum must be applied.

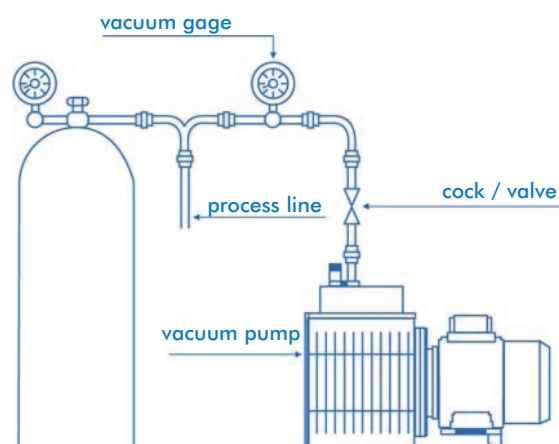


Figure 3 – High Vacuum Pump to evacuate the system

Warning: Never use anti-freeze elements (methyl alcohol and derivatives), as they cause irreversible damages to the cooling system.

3.8) - Procedures for Refrigerant Charge

The refrigerant shall only be charged after the proper vacuum has been achieved. Please check on the compressor or condensing unit tag what is the type of refrigerant that should be used to charge the system. Break the vacuum only when the compressor is switched off.

It is recommended that the refrigerant charge be provided in the liquid state (with the compressor switched off), through the high side (tank liquid valve) and by the refrigerant mass measurement (lb), according to the system specification.

Condensing Unit

Wait for 15 minutes before switching on the system again, so as to allow the gas to be evenly distributed and balance the pressure levels.

The fine tuning of the refrigerant charge must be done while the system is running (compressor switched on), by observing the sight glass. The charge will be complete when there are no more bubbles forming.

When performing a condensing unit replacement always check the specified refrigerant charge.

3.9) - Piping

Piping shall be sized so that:

- 3.9.1 - It is flexible, so as to avoid rupture due to expansion and due to the transmission of vibration usually caused by compressors.
- 3.9.2 - Ensure that the refrigerant is well distributed through the evaporator(s), and prevent the liquid from flowing back to the compressor. To do that, use an expansion valve with proper dimensions, and an inverted siphon at the outlet of each evaporator.

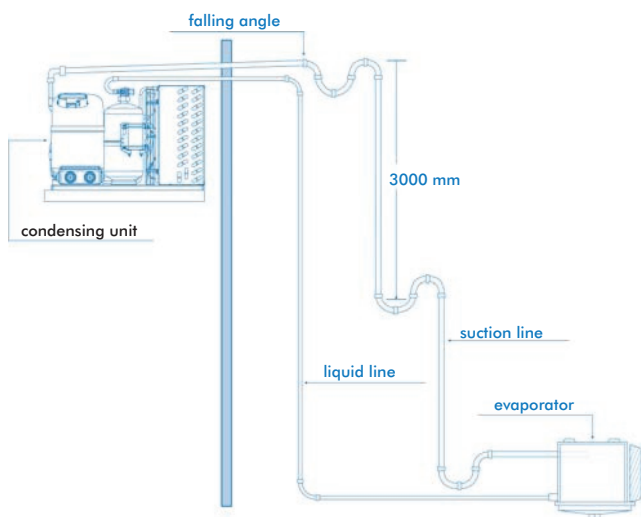


Figure 4 – Evaporator under the condensing unit

- 3.9.3 - Prevent the liquid from flowing back to the compressor when the system stops and the evaporator(s) is/are located above the Condensing Unit, using an inverted siphon and suction accumulator.
- 3.9.4 - Aid the return of lubricating oil coming from the evaporator(s) to the system where the Condensing Unit is located over 3000 mm above the evaporator(s), using an inverted siphon every 3000 mm in the piping.
- 3.9.5 - Allow secondary operations, such as attaching measurement instruments, isolating stretches for maintenance purposes and pump down.

Warning: The diameter of the fittings for the condensing units and evaporators shall not be used as a parameter to select the diameters of the other system components.

Attention: After replacement the condensing unit and its accessories must be handled and recycled according to the material group (ferrous, non-ferrous, polymers, oils, ...) directives. These recommendations are intended to minimize the adverse impacts on the environment.

3.10) - Basic Accessories of a Cooling System

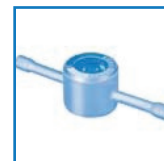
3.10.1 - Filter-Dryer

Installed at the liquid line, its function is to retain particles and mainly remove residual humidity from the system.



3.10.2 - Sight Glass

It is installed at the liquid line, just after the filter-dryer and used to monitor the system refrigerant charge. Some models also allow humidity detection.



3.10.3 - Pressure Control

Some of Embraco Condensing Units are fitted with High / Low Pressure Switches. Their function is to prevent the compressor from operating under pressure levels that are outside of their application range.



3.10.4 - Solenoid Valve

It is installed at the liquid line, prior to the expansion valve and used for the pump down procedure.



3.10.5 - Oil Separator

It is installed at the discharge line, when the evaporator is below the compressor's height (long distances).



3.10.6 - Suction Accumulator

It is installed at the suction line, just before the compressor. It prevents liquid refrigerant from flowing back towards the compressor.



Conditions that favor the flow-back of liquid to the compressor and where the use of a suction accumulator is recommended:

- Systems with more than one evaporator
- High refrigerant charges
- Operations with defrosting by hot gas
- Where the distance from the compressor to the evaporator is over 15 meters (50 feet)
- Evaporator(s) above the condensing unit

3.10.7 - Fan Speed Control

The Fan Speed Control controls the head pressure in air-cooled condensers by reducing the fan speed to maintain head pressure as the outside temperatures/condenser pressure drops. As the motor speed drops under lower ambient/load condition fan noise is also reduced.



3.10.8 - Schrader Valve

Used for service operation (Refrigerant Charge).



3.10.9 - CU Housing

For external use, to protect the condensing unit from corrosion.



3.10.10 - Expansion Valve

It is installed at the liquid line, prior to the evaporator. Its function is to maintain pressure difference between the condenser and the evaporator, and to adjust the refrigerant flow into the evaporator. For systems operating under low evaporating temperatures (lower than -17.7°C (0°F)), we recommend using an expansion valve fitted with MOP (**M**aximum **O**peration **P**ressure), to protect the compressor against high pressures in suction during the start procedure.

3.10.11 - Suction Filter

It is recommended to clean the systems if the compressor has burned out. Installed at the suction line, its main task is to retain the contaminants (result of the burning of the compressor), and to retain system particles.

3.11 - Electrical Connections

Check the electrical rating printed on the unit name plate, and make sure it corresponds to the power supply being used.

Check the electrical rating on the fan motor, and make sure it corresponds to the power supply being used.

Warnings: Do not remove the compressor terminal cover while the compressor is running – electrocution may occur.

Do not operate the unit unless it is grounded – electrocution may occur.

Respect local electrical safety regulations.

R-134a - LBP

MODEL	B.O.M.*	ELECTRICAL VERSION	MOTOR TYPE	EXPANSIVE DEVICE	HP	PERFORMANCE / EVAPORATING TEMPERATURE °C **								APPLICATION RANGE IN 43°C °C	RECEIVER VOLUME litre	VALVES TUBE LINE O.D.		
						-30	-25	RATED -23.3			-20	-15	-10			-5	SUCTION inch	LIQUID inch
								W	W	W								
UNB1116Z	584SA8112AA	A	RSIR	C	1/5	136	178	203	182	1.40	233	293	365	436	-30 to -5	-	3/8	1/4
	584SA5112AA					171	222	244	185	1.30	291	372	463	560				
UNB1118Z	584UA5112AA	A	RSIR	C	1/4+	171	222	244	185	1.30	291	372	463	560	-30 to -5	-	3/8	1/4
	584UA8112AA					150	184	197	191	1.40	232	299	375	471				
UNB2116Z	584TA5112AA	A	CSIR	C-V	1/5	150	184	197	191	1.40	232	299	375	471	-30 to -5	-	3/8	1/4
UNE2121Z	572BA5212AA	A	CSIR	C-V	1/3	214	279	308	269	2.00	370	478	600	733	-30 to -5	0.6	3/8	1/4
	572BA8212AA					276	356	390	310	2.30	465	606	762	919				
UNE2130Z	572DA5212AA	A	CSIR	C-V	1/3+	276	356	390	310	2.30	465	606	762	919	-30 to -5	1.1	3/8	1/4
	572DA8212AA					393	512	560	462	3.50	674	866	1093	1337				
UT2140Z	537BA8212AA	A	CSIR	C-V	2/3	393	512	560	462	3.50	674	866	1093	1337	-30 to -5	1.1	3/8	1/4

Notes: * BOM is in execution with flare valves and receiver. For UNB without receiver. For different bill of material executions see codification page.

** Test Conditions: Ambient 32°C (90°F) | Max. subcooling 3°C (5°F) | Evaporator outlet and gas return 32°C (90°F).

Execution change has no impact on the performance and dimensions of unit.

R-404A / R-507 - LBP

MODEL	B.O.M.*	ELECTRICAL VERSION	MOTOR TYPE	EXPANSIVE DEVICE	HP	PERFORMANCE / EVAPORATING TEMPERATURE °C **									APPLICATION RANGE IN 43°C °C	RECEIVER VOLUME litre	VALVES TUBE LINE O.D.		
						-40	-35	-30	-25	RATED -23.3			-20	-15			-10	SUCTION inch	LIQUID inch
										W	W	W							
UNE2125GK	671TA5212AA	A	CSIR	C-V	1/2-	145	206	283	374	406	342	2.48	469	579	731	-40 to -10	1.1	3/8	1/4
	671TA8212AA					149	234	337	456	502	470	3.02	593	733	884				
UNE2134GK	673TA5212AA	A	CSIR	C-V	1/2+	149	234	337	456	502	470	3.02	593	733	884	-40 to -10	1.1	3/8	1/4
	673TA8212AA	A	CSIR	C-V	1/2+	174	273	394	534	587	545	3.56	694	857	1034				
	673TD5201AA	D	CSIR	C-V	2/3	174	273	394	534	587	545	3.56	694	857	1034				
	673TD8201AA	D	CSIR	C-V	2/3	174	273	394	534	587	545	3.56	694	857	1034				
	673TG5201AA	G	CSIR	C-V	2/3	174	273	394	534	587	545	6.65	694	857	1034				
UNEK2125GK	657EA5212AA	A	CSIR	C-V	1/2-	194	236	322	368	410	342	2.48	451	529	644	-40 to -10	1.1	3/8	1/4
UNEK2134GK	558AA5212AA	A	CSIR	C-V	1/2+	227	267	381	474	490	342	2.77	552	649	756	-40 to -10	1.1	3/8	1/4
	558AA8212AA	A	CSIR	C-V	1/2+	227	267	381	474	490	342	2.77	552	649	756				
UNEK2150GK	559AA5212AA	A	CSIR	C-V	2/3+	341	398	474	569	639	530	3.52	683	817	969	-40 to -10	1.1	3/8	1/4
	559AA8212AA	A	CSIR	C-V	2/3+	341	398	474	569	639	530	3.52	683	817	969				
UNEK2168GK	559FA5212AA	A	CSIR	C-V	1+	330	453	585	760	840	730	4.17	957	1120	1270	-40 to -10	1.1	3/8	1/4
	559FA8204AA	A	CSR	C-V	1+	330	453	585	760	840	730	4.17	957	1120	1270				
UT2155GK	636CA8204AA	A	CSR	C-V	3/4	237	340	462	600	656	520	2.42	765	942	1123	-40 to -10	1.2	3/8	1/4
	636CD8204AA	D	CSR	C-V	3/4	251	343	481	669	667	609	4.06	905	1078	1369				
UT2155GK-	636DG5201AA	G	CSIR	C-V	3/4	251	343	481	669	667	609	8.64	905	1078	1369	-40 to -10	1.3	3/8	1/4
UT2168GK	636JA8204AA	A	CSR	C-V	1-	333	453	595	763	832	655	2.92	940	1142	1372	-40 to -10	1.2	3/8	1/4
	636JG5204AA	G	CSR	C-V	1	346	476	615	800	883	769	9.87	1007	1179	1337				
UT2178GK	636QA8204AA	A	CSR	C-V	1 1/6	437	586	753	947	1038	770	4.36	1165	1410	1693	-40 to -10	1.2	3/8	1/4
	636QG5204AA	G	CSR	C-V	1 1/5	437	604	783	970	1038	852	9.54	1171	1381	1603				
UT2180GK	636QD5204AA	D	CSR	C-V	1 1/5	437	604	783	970	1038	852	4.36	1171	1381	1603	-40 to -10	1.0	3/8	1/4
	636XA8204AA	A	CSR	C-V	1 1/4	450	610	790	1000	1110	841	4.17	1240	1508	1873				
UNT2178GK	502EA5212AA	A	CSIR	C-V	1+	393	507	655	839	910	655	4.39	1058	1312	1602	-40 to -10	1.2	3/8	3/8
UNT2180GK	503HA5212AA	A	CSIR	C-V	1 1/4	UD	UD	UD	UD	UD	UD	UD	UD	UD	UD	-40 to -10	1.2	3/8	1/4
UNT2192GK ***	503EA5204AA	A	CSR	C-V	1 1/2	498	647	835	1060	1146	842	5.50	1325	1627	1968	-40 to -10	2.3	3/8	3/8
UNT2212GK ***	505DA5204AA	A	CSR	C-V	1 3/4	650	827	1056	1336	1443	991	5.25	1668	2051	2486	-40 to -10	2.3	1/2	3/8
	505DD5604AA	D	CSR	C-V	2	720	983	1281	1614	1735	1206	5.90	1981	2382	2818				
	505DA5B04AA	A	CSR	C-V	2	650	827	1056	1336	1443	991	5.84	1668	2051	2486				
UNJ2192GK	644AA5604AA	A	CSR	C-V	1 1/2-	453	612	795	1087	1198	942	4.75	1373	1687	2030	-40 to -10	2.3	1/2	3/8
	644AD5604AA	D	CSR	C-V	1 1/2-	530	715	930	1170	1265	1175	5.45	1442	1742	2067				
UNJ2192GS	648AM5603AA	M	3 Ph	C-V	1 1/5	453	612	795	1000	1081	900	2.28	1233	1488	1767	-40 to -10	2.3	1/2	3/8
UNJ2212GK	643TA5604AA	A	CSR	C-V	1 3/4	616	886	1163	1479	1599	1175	6.05	1826	2198	2605	-40 to -10	2.3	5/8	3/8
	643TA5B04AA	A	CSR	C-V	1 3/4	616	886	1163	1479	1599	1175	6.14	1826	2198	2605				
	643TD5604AA	D	CSR	C-V	2	721	1037	1360	1730	1871	1370	6.89	2136	2571	3048				
	643TD5B04AA	D	CSR	C-V	2	721	1037	1360	1730	1871	1370	7.06	2136	2571	3048				
UNJ2212GS	647AM5603AA	M	3 Ph	C-V	1 3/4	616	886	1163	1479	1599	1479	2.38	1826	2198	2605	-40 to -10	2.3	5/8	3/8

Notes: * BOM is in execution with flare valves and receiver. For UNJ with ODS valves and receiver. For different bill of material executions see codification page.

** Test Conditions: Ambient 32°C (90°F) | Max. subcooling 3°C (5°F) | Evaporator outlet and gas return 32°C (90°F).

Execution change has no impact on the performance and dimensions of unit. | *** Available also in CSIR execution and assembly group 1955413.

UD - Under Development.

	FAN				FAN MOTOR			WEIGHT (Only Reference) kg / lb	OVERALL DIMENSIONS				CONDENSER		MODEL
	O.D. mm / inch	No. & Angle of Blades	No. of Fans	Air Flow Rate	Rated Output	Rated Input	Rated Input		DRAWING NUMBER	No. OF ROWS	No. OF TUBES				
				m ³ (h)	W	W	A					A	B	C	
	200 / 7.87	5/28°	1	360	10	36	0.25	14.9 / 32.9	480 / 18.90	300 / 11.81	226 / 8.90	1955191	2	8	UNB1116Z
									430 / 16.90	306 / 12.05	226 / 8.90	1955183			
	200 / 7.87	5/28°	1	360	10	38	0.25	15.3 / 33.7	480 / 18.90	300 / 11.81	226 / 8.90	1955191	2	8	UNB1118Z
									430 / 16.90	306 / 12.05	226 / 8.90	1955183			
	200 / 7.87	5/28°	1	360	10	38	0.25	15.4 / 33.9	430 / 16.90	306 / 12.05	226 / 8.90	1955183	2	8	UNB2116Z
	200 / 7.87	5/28°	1	300	10	38	0.25	16.4 / 36.2	480 / 18.90	300 / 11.81	226 / 8.90	1955191	3	8	UNE2121Z
									430 / 16.90	306 / 12.05	226 / 8.90	1955183			
	230 / 9.06	5/28°	1	420	10	38	0.25	17.5 / 38.6	480 / 18.90	300 / 11.81	254 / 10.00	1955191	3	9	UNE2130Z
									435 / 17.13	306 / 12.05	254 / 10.00	1955183			
	254 / 10.00	5/28°	1	595	16	60	0.42	23.6 / 52.0	465 / 18.31	340 / 13.39	296 / 11.65	1955185	3	11	UT2140Z



	FAN				FAN MOTOR			WEIGHT (Only Reference) kg / lb	OVERALL DIMENSIONS				CONDENSER		MODEL
	O.D. mm / inch	No. & Angle of Blades	No. of Fans	Air Flow Rate	Rated Output	Rated Input	Rated Input		DRAWING NUMBER	No. OF ROWS	No. OF TUBES				
				m ³ (h)	W	W	A					A	B	C	
	230 / 9.06	5/28°	1	420	10	36	0.25	17.7 / 39.0	435 / 17.13	306 / 12.05	254 / 10.00	1955183	3	9	UNE2125GK
									480 / 18.90	300 / 11.81	254 / 10.00	1955191			
	254 / 10.00	5/28°	1	595	16	60	0.42	20.0 / 44.1	467 / 18.39	339 / 13.35	296 / 11.65	1955287	3	11	UNE2134GK
	254 / 10.00	5/28°	1	595	16	60	0.42	20.0 / 44.1	465 / 18.31	340 / 13.39	296 / 11.65	1955184	3	11	
	254 / 10.00	5/28°	1	660	16	58	0.36	20.0 / 44.1	467 / 18.39	339 / 13.35	296 / 11.65	1955287	3	11	
	254 / 10.00	5/28°	1	660	16	58	0.36	20.0 / 44.1	465 / 18.31	340 / 13.39	296 / 11.65	1955184	3	11	
	254 / 10.00	5/28°	1	660	16	58	0.74	20.0 / 44.1	467 / 18.39	339 / 13.35	296 / 11.65	1955287	3	11	
	230 / 9.06	5/28°	1	420	10	36	0.25	17.9 / 39.5	435 / 17.13	306 / 12.05	254 / 10.00	1955183	3	9	UNEK2125GK
	254 / 10.00	5/28°	1	595	16	60	0.42	20.0 / 44.1	467 / 18.39	339 / 13.35	296 / 11.65	1955287	3	11	UNEK2134GK
	254 / 10.00	5/28°	1	595	16	60	0.42	20.0 / 44.1	465 / 18.31	340 / 13.39	296 / 11.65	1955184	3	11	UNEK2150GK
	254 / 10.00	5/28°	1	595	16	60	0.42	20.0 / 44.1	467 / 18.39	339 / 13.35	296 / 11.65	1955287	3	11	
	254 / 10.00	5/28°	1	460	16	60	0.42	23.8 / 53.0	491 / 19.33	340 / 13.39	296 / 11.65	1955417	4	11	UNEK2168GK
	254 / 10.00	5/28°	1	460	16	60	0.42	23.8 / 53.0	465 / 18.31	340 / 13.39	296 / 11.65	1955184	4	11	
	254 / 10.00	5/28°	1	460	16	60	0.42	27.0 / 59.5	467 / 18.39	340 / 13.39	296 / 11.65	1955193	4	11	UT2155GK
	254 / 10.00	5/28°	1	650	16	58	0.36	27.0 / 59.5	467 / 18.39	340 / 13.39	296 / 11.65	1955193	4	11	
	254 / 10.00	5/28°	1	650	16	58	0.74	27.0 / 59.5	476 / 18.74	353 / 13.93	296 / 11.65	1955394	4	11	UT2155GK-
	254 / 10.00	5/28°	1	460	16	60	0.42	28.5 / 62.8	467 / 18.39	340 / 13.39	296 / 11.65	1955193	4	11	UT2168GK
	254 / 10.00	5/28°	1	650	16	58	0.74	28.5 / 62.8	476 / 18.74	351 / 13.82	296 / 11.65	1955371	4	11	
	254 / 10.00	5/28°	1	460	16	60	0.42	28.5 / 62.8	467 / 18.39	340 / 13.39	296 / 11.65	1955193	4	11	UT2178GK
	254 / 10.00	5/28°	1	650	16	58	0.74	28.5 / 62.8	476 / 18.74	351 / 13.82	296 / 11.65	1955371	4	11	
	254 / 10.00	5/28°	1	650	16	58	0.36	28.5 / 62.8	476 / 18.74	351 / 13.82	296 / 11.65	1955371	4	11	UT2180GK
	254 / 10.00	5/28°	1	460	16	60	0.42	28.5 / 62.8	467 / 18.39	340 / 13.39	296 / 11.65	1955193	4	11	
	254 / 10.00	5/28°	1	460	16	60	0.42	33.8 / 74.5	476 / 18.74	340 / 13.39	296 / 11.65	1955404	4	11	UNT2178GK
	254 / 10.00	5/28°	1	460	16	60	0.42	33.8 / 74.5	476 / 18.74	340 / 13.39	296 / 11.65	1955404	4	11	UNT2180GK
	275 / 10.83	5/31°	1	800	34	110	0.75	36.2 / 79.8	470 / 18.50	395 / 15.55	324 / 12.76	1955401	3	12	UNT2192GK
	275 / 10.83	5/31°	1	800	34	110	0.75	33.8 / 74.5	470 / 18.50	395 / 15.55	324 / 12.76	1955401	3	12	UNT2212GK
	275 / 10.83	5/31°	1	980	34	100	0.65	34.7 / 76.5	470 / 18.50	395 / 15.55	324 / 12.76	1955401	3	12	
	2x254/10.00	5/28°	2	1190	2x16	2x60	2x0.42	40.0 / 88.2	440 / 17.32	600 / 23.62	296 / 11.65	1955415	3	11	UNJ2192GK
	275 / 10.83	5/31°	1	800	34	110	0.75	36.2 / 79.8	481 / 18.94	409 / 16.10	324 / 12.76	1955186	3	12	
	275 / 10.83	5/31°	1	720	25	80	0.55	36.2 / 79.8	481 / 18.94	409 / 16.10	324 / 12.76	1955186	3	12	
	275 / 10.83	5/31°	1	800	34	100	0.38	36.2 / 79.8	481 / 18.94	409 / 16.10	324 / 12.76	1955186	3	12	
	275 / 10.83	5/31°	1	800	34	110	0.75	37.0 / 81.5	481 / 18.94	409 / 16.10	324 / 12.76	1955186	3	12	
	2x254/10.00	5/28°	2	1190	2x16	2x60	2x0.42	40.0 / 88.2	440 / 17.32	612 / 24.09	296 / 11.65	1955312	3	11	UNJ2212GK
	275 / 10.83	5/31°	1	720	25	80	0.55	40.0 / 88.2	481 / 18.94	409 / 16.10	324 / 12.76	1955186	3	12	
	2x254/10.00	5/28°	2	1560	2x16	2x58	2x0.36	40.0 / 88.2	440 / 17.32	612 / 24.09	296 / 11.65	1955312	3	11	
	275 / 10.83	5/31°	1	800	34	100	0.38	40.0 / 88.2	481 / 18.94	409 / 16.10	324 / 12.76	1955186	3	12	UNJ2212G5

R-22 - LBP

MODEL	B.O.M.*	ELECTRICAL VERSION	MOTOR TYPE	EXPANSIVE DEVICE	HP	PERFORMANCE / EVAPORATING TEMPERATURE °C - **									APPLICATION RANGE IN 43°C °C	RECEIVER VOLUME litre	VALVES TUBE LINE O.D.	
						-30	-25	RATED -23.3			-20	-15	-10	SUCTION inch			LIQUID inch	
								W	W	W								W inp
UNE2125E	671IA5212AA	A	CSIR	C-V	1/3-	221	302	326	305	1.75	390	494	616	-30 to -10	1.1	3/8	1/4	
	671IA8212AA																	
UNE2134E	673AA5212AA	A	CSIR	C-V	1/2	314	407	442	413	2.85	512	634	767	-30 to -10	1.1	3/8	1/4	
	673AA8212AA																	
	673AD5201AA	D	CSIR	C-V	1/2+	397	511	553	472	3.20	641	787	947	-30 to -10	1.1	3/8	1/4	
UT2140E	636AA8212AA	A	CSIR	C-V	1/2+	401	500	541	552	3.32	628	767	930	-30 to -10	1.2	3/8	1/4	
UT2155E	636BA8204AA	A	CSR	C-V	3/4	506	628	674	582	2.90	779	960	1198	-30 to -10	1.2	3/8	1/4	
UT2168E	636KA5204AA	A	CSR	C-V	1-	616	767	826	652	3.12	965	1233	1529	-30 to -10	1.2	5/8	3/8	
	636KA8204AA	A	CSR	C-V	1-	616	767	826	652	3.12	965	1233	1529					-30 to -10
UNJ2178E	644GA5604AA	A	CSR	C-V	1 1/5	779	965	1052	840	4.05	1221	1547	1942	-30 to -10	2.3	1/2	3/8	
UNJ2190E	543NV5604AA	V	CSR	C-V	1 1/3	802	1186	1108	960	4.65	1387	1789	2132	-30 to -10	2.3	1/2	3/8	

Notes: * BOM is in execution with flare valves and receiver. For UNJ with ODS valves and receiver. For different bill of material executions see codification page.

** Test Conditions: Ambient 32°C (90°F) | Max. subcooling 3°C (5°F) | Evaporator outlet and gas return 32°C (90°F).
Execution change has no impact on the performance and dimensions of unit.

R-290 - LBP

MODEL	B.O.M.*	ELECTRICAL VERSION	MOTOR TYPE	EXPANSIVE DEVICE	HP	PERFORMANCE / EVAPORATING TEMPERATURE °C **									APPLICATION RANGE IN 43°C °C	RECEIVER VOLUME litre	VALVES TUBE LINE O.D.			
						-40	-35	-30	-25	RATED -23.3			-20	-15			-10	SUCTION inch	LIQUID inch	
										W	W	W								W
UNEK2121U	551BA5212AA	A	CSIR	C-V	UD	UD	UD	UD	UD	UD	UD	UD	UD	UD	UD	UD	-40 to -10	0.6	3/8	1/4
UNEK2125U	551CA5212AA	A	CSIR	C-V	UD	UD	UD	UD	UD	UD	UD	UD	UD	UD	UD	UD	-40 to -10	0.6	3/8	1/4
UNEK2134U	552AA5212AA	A	CSIR	C-V	UD	UD	UD	UD	UD	UD	UD	UD	UD	UD	UD	UD	-40 to -10	1.1	3/8	1/4

Notes: * BOM is in execution with flare valves and receiver. For different bill of material executions see codification page.

Execution change has no impact on the performance and dimensions of unit.

** Test Conditions: Ambient 32°C (90°F) | Max. subcooling 3°C (5°F) | Evaporator outlet and gas return 32°C (90°F).
UD - Under Development.

	FAN				FAN MOTOR			WEIGHT (Only Reference) kg / lb	OVERALL DIMENSIONS				CONDENSER		MODEL
	O.D. mm / inch	No. & Angle of Blades	No. of Fans	Air Flow Rate	Rated Output	Rated Input	Rated Input		A	B	C	DRAWING NUMBER	No. OF ROWS	No. OF TUBES	
				m ³ (h)	W	W	A								
	230 / 9.06	5/28°	1	420	10	36	0.25	17.7 / 39.0	435 / 17.13	306 / 12.05	254 / 10.00	1955183	3	9	UNE2125E
									480 / 18.90	300 / 11.81	254 / 10.00	1955191			
	230 / 9.06	5/28°	1	420	10	36	0.25	18.7 / 43.4	435 / 17.13	306 / 12.05	254 / 10.00	1955183	3	9	UNE2134E
									480 / 18.90	300 / 11.81	254 / 10.00	1955191			
	230 / 9.06	5/28°	1	480	10	36	0.25	18.7 / 43.4	435 / 17.13	306 / 12.05	254 / 10.00	1955183	3	9	UNE2134E
	254 / 10.00	5/28°	1	460	16	60	0.42	26.0 / 57.3	467 / 18.39	340 / 13.39	296 / 11.65	1955193	4	11	UT2140E
									467 / 18.39	340 / 13.39	296 / 11.65	1955193			
	254 / 10.00	5/28°	1	460	16	60	0.42	27.0 / 59.5	467 / 18.39	340 / 13.39	296 / 11.65	1955193	4	11	UT2155E
									467 / 18.39	340 / 13.39	296 / 11.65	1955193			
	254 / 10.00	5/28°	1	460	16	60	0.42	28.0 / 61.7	476 / 18.74	351 / 13.82	296 / 11.65	1955371	4	11	UT2168E
									465 / 18.31	340 / 13.39	296 / 11.65	1955193			
	254 / 10.00	5/28°	1	460	16	60	0.42	28.0 / 61.7	465 / 18.31	340 / 13.39	296 / 11.65	1955193	4	11	UT2168E
									465 / 18.31	340 / 13.39	296 / 11.65	1955193			
	275 / 10.83	5/31°	1	640	34	110	0.75	34.7 / 76.5	481 / 18.94	409 / 16.10	324 / 12.76	1955186	3	12	UNJ2178E
									481 / 18.94	409 / 16.10	324 / 12.76	1955186			
	275 / 10.83	5/31°	1	640	34	110	0.75	38.0 / 83.8	481 / 18.94	409 / 16.10	324 / 12.76	1955186	3	12	UNJ2190E
									481 / 18.94	409 / 16.10	324 / 12.76	1955186			

	FAN				FAN MOTOR			WEIGHT (Only Reference) kg / lb	OVERALL DIMENSIONS				CONDENSER		MODEL
	O.D. mm / inch	No. & Angle of Blades	No. of Fans	Air Flow Rate	Rated Output	Rated Input	Rated Input		A	B	C	DRAWING NUMBER	No. OF ROWS	No. OF TUBES	
				m ³ (h)	W	W	A								
	230 / 9.06	5/28°	1	420	10	36	0.25	17.9 / 39.5	435 / 17.13	306 / 12.05	254 / 10.00	1955183	3	9	UNEK2121U
	230 / 9.06	5/28°	1	420	10	36	0.25	17.9 / 39.5	435 / 17.13	306 / 12.05	254 / 10.00	1955183	3	9	UNEK2125U
	254 / 10.00	5/28°	1	595	16	60	0.42	18.7 / 43.4	465 / 18.31	340 / 13.39	296 / 11.65	1955184	3	11	UNEK2134U

R-134a - HBP

MODEL	B.O.M.*	ELECTRICAL VERSION	MOTOR TYPE	EXPANSIVE DEVICE	HP	PERFORMANCE / EVAPORATING TEMPERATURE °C - **									APPLICATION RANGE IN 43°C	RECEIVER VOLUME litre	VALVES TUBE LINE O.D.	
						-15	-10	-5	0	5	RATED 7:2			-10			SUCTION inch	LIQUID inch
						W	W	W	W	W	W	W _{imp}	RLA	W				
UNB5132Z	583CA5212AA	A	RSIR	C	1/7	186	233	285	347	413	442	229	1.45	483	-15 to +10	0.6	3/8	1/4
	583CG5201AA	G	RSIR	C	1/6-	217	272	334	406	483	517	279	3.20	565	-15 to +10	0.5	3/8	1/4
UNB5144Z	584AA5212AA	A	RSIR	C	1/6+	269	330	403	479	560	602	295	1.85	651	-15 to +10	0.6	3/8	1/4
	584AG5201AA	G	RSIR	C	1/5	314	386	472	560	656	705	355	4.25	762	-15 to +10	0.5	3/8	1/4
UNB6144Z	584BA5212AA	A	CSIR	C-V	1/6+	269	330	403	479	560	602	295	1.70	651	-15 to +10	0.6	3/8	1/4
	584BA8212AA	A	CSIR	C-V	1/6+	269	330	403	479	560	602	295	1.70	651	-15 to +10	0.6	3/8	1/4
	584BG5212AA	G	CSIR	C-V	1/5	314	386	472	560	656	705	355	3.98	762	-15 to +10	0.5	3/8	1/4
UNE5170Z	571CA5212AA	A	RSIR	C	1/4	355	440	535	640	753	803	410	2.25	872	-15 to +10	0.6	3/8	1/4
UNE6160Z	571BA5212AA	A	CSIR	C-V	1/5	320	392	480	570	669	716	380	2.05	779	-15 to +10	1.1	3/8	1/4
	571BA8212AA	A	CSIR	C-V	1/5	320	392	480	570	669	716	380	2.05	779	-15 to +10	1.1	3/8	1/4
UNE6170Z	571BG5201AA	G	CSIR	C-V	1/4	374	458	562	666	783	838	455	5.40	912	-15 to +10	1.0	3/8	1/4
	571DA5212AA	A	CSIR	C-V	1/4	355	440	535	640	753	815	410	2.40	872	-15 to +10	1.1	3/8	1/4
UNE6170Z	571DA8212AA	A	CSIR	C-V	1/4	355	440	535	640	753	815	410	2.40	872	-15 to +10	1.1	3/8	1/4
	571DN5212AA	N	CSIR	C-V	1/4	355	440	535	640	753	815	330	2.55	872	-15 to +10	1.1	3/8	1/4
	571DG5212AA	G	CSIR	C-V	1/4	431	453	557	683	767	963	502	5.35	1121	-15 to +10	1.0	3/8	1/4
UNE6187Z	571FA5212AA	A	CSIR	C-V	1/3	481	600	737	894	1070	1153	562	3.42	1264	-15 to +10	1.1	3/8	1/4
	571FA8212AA	A	CSIR	C-V	1/3	481	600	737	894	1070	1153	562	3.42	1264	-15 to +10	1.1	3/8	1/4
	571FD5212AA	D	CSIR	C-V	1/3+	571	717	878	1051	1231	1320	672	3.76	1429	-15 to +10	1.1	3/8	1/4
	571FG5201AA	G	CSIR	C-V	1/3+	571	717	878	1051	1231	1320	672	7.94	1429	-15 to +10	1.0	3/8	1/4
UNE6210Z	572FA5212AA	A	CSIR	C-V	1/3+	543	614	822	980	1148	1228	564	3.30	1330	-15 to +10	1.1	3/8	1/4
	572FA8212AA	A	CSIR	C-V	1/3+	543	614	822	980	1148	1228	564	3.30	1330	-15 to +10	1.1	3/8	1/4
	572FD5212AA	D	CSIR	C-V	1/2-	580	739	911	1098	1300	1394	730	4.64	1516	-15 to +10	1.0	3/8	1/4
	572FD8212AA	D	CSIR	C-V	1/2-	580	739	911	1098	1300	1394	730	4.64	1516	-15 to +10	1.0	3/8	1/4
	572FG5201AA	G	CSIR	C-V	1/2-	580	739	911	1098	1300	1394	730	7.64	1516	-15 to +10	1.0	3/8	1/4
UNEK6160Z	557BA5212AA	A	CSIR	C-V	1/3	382	468	574	680	800	716	465	2.15	912	-15 to +10	0.6	3/8	1/4
UNEK6170Z	573DA5212AA	A	CSIR	C-V	1/4	407	479	595	693	798	855	347	2.35	921	-15 to +10	1.1	3/8	1/4
UNEK6187Z	557AA5212AA	A	CSIR	C-V	1/4	405	503	616	744	887	958	418	2.86	1043	-15 to +11	1.1	3/8	1/4
	557AA8212AA	A	CSIR	C-V	1/4	405	503	616	744	887	958	418	2.86	1043	-15 to +11	1.1	3/8	1/4
UNEK6210Z	558BA5212AA	A	CSIR	C-V	1/3+	430	584	789	929	1065	1228	497	2.90	1203	-15 to +10	1.1	3/8	1/4
	558BA8212AA	A	CSIR	C-V	1/3+	430	584	789	929	1065	1228	497	2.90	1203	-15 to +10	1.1	3/8	1/4
UNEK6212Z	559BA5212AA	A	CSIR	C-V	1/2+	640	800	975	1157	1354	1448	730	3.95	1601	-15 to +10	1.1	3/8	1/4
	559BA8212AA	A	CSIR	C-V	1/2+	640	800	975	1157	1354	1448	730	3.95	1601	-15 to +10	1.1	3/8	1/4
UNEK6214Z	559HA5212AA	A	CSIR	C-V	1/2+	658	826	1004	1192	1395	1492	753	5.17	1601	-15 to +10	1.1	3/8	1/4
	559HA8212AA	A	CSIR	C-V	1/2+	658	826	1004	1192	1395	1492	753	5.17	1601	-15 to +10	1.1	3/8	1/4
UT6213Z	533DD5212AA	D	CSIR	C-V	1/2	762	957	1163	1381	1616	1728	892	5.36	1873	-15 to +10	1.0	3/8	1/4
	533DG5201AA	G	CSIR	C-V	1/2	762	957	1163	1381	1616	1728	892	9.62	1873	-15 to +10	1.0	3/8	1/4
	533DN5212AA	N	CSIR	C-V	1/2+	616	774	941	1113	1295	1372	702	4.55	1488	-15 to +10	1.1	3/8	1/4
	533DN8212AA	N	CSIR	C-V	1/2+	616	774	941	1113	1295	1372	702	4.55	1488	-15 to +10	1.1	3/8	1/4
	533DT5212AA	T	CSIR	C-V	1/2-	651	817	994	1180	1381	1477	745	4.22	1601	-15 to +10	1.1	3/8	1/4
UT6215Z	536ZA5212AA	A	CSIR	C-V	1/2	719	833	1040	1255	1473	1572	821	5.12	1699	-15 to +10	1.2	1/2	1/4
	536ZC5212AA	C	CSIR	C-V	1/2	719	833	1040	1255	1473	1572	821	5.52	1699	-15 to +10	1.2	1/2	3/8
	536ZC8212AA	C	CSIR	C-V	1/2	719	833	1040	1255	1473	1572	821	5.52	1699	-15 to +10	1.2	1/2	3/8
	536ZG5201AA	G	CSIR	C-V	1/2+	823	1080	1320	1566	1837	1878	1022	11.25	2115	-15 to +10	1.3	1/2	3/8
	536ZN5212AA	N	CSIR	C-V	1/2	719	833	1040	1255	1473	1572	821	5.54	1699	-15 to +10	1.2	1/2	3/8
	536ZN8212AA	N	CSIR	C-V	1/2	719	833	1040	1255	1473	1572	821	5.54	1699	-15 to +10	1.2	1/2	3/8
UT6217Z	536TG5212AA	G	CSIR	C-V	3/4	993	1275	1555	1861	2178	2219	1154	12.35	2513	-15 to +10	2.3	1/2	3/8
UNT6215Z	602AN5212AA	N	CSIR	C-V	1/2	705	816	1003	1188	1362	1483	593	5.52	1523	-15 to +10	1.2	3/8	1/4
UNT6217Z	602DA5212AA	A	CSIR	C-V	3/4	993	1275	1555	1861	2178	2219	1154	11.82	2513	-15 to +10	2.3	1/2	3/8
UNT6220Z	602CN5212AA	N	CSIR	C-V	2/3	843	1050	1281	1541	1828	1970	960	5.99	2142	-15 to +10	2.3	1/2	3/8
UNJ6220Z	644HA5204AA	A	CSR	C-V	3/4	1011	1259	1537	1849	2193	2363	1058	6.45	2570	-15 to +10	2.3	1/2	3/8
	544PD5204AA	D	CSR	C-V	4/5	1163	1470	1790	2156	2520	2673	1330	8.21	2912	-15 to +10	2.3	1/2	3/8
	544PG5204AA	G	CSR	C-V	4/5	1163	1470	1790	2156	2520	2560	1330	14.72	2912	-15 to +10	2.3	1/2	3/8
UNJ6226Z	642HA5204AA	A	CSR	C-V	1-	1372	1686	2035	2419	2814	3006	1355	6.75	3244	-15 to +10	2.3	5/8	3/8
	542HD5204AA	D	CSR	C-V	1-	1390	1740	2100	2466	2840	2996	1610	9.05	3323	-15 to +10	2.3	5/8	3/8
UNJ6220ZX	548PM5203AA	M	3 Ph	C-V	3/4-	994	1256	1529	1843	2154	2285	1004	2.28	2488	-15 to +10	2.3	1/2	3/8
UNJ6226ZX	546EM5203AA	M	3 Ph	C-V	1-	1372	1686	2035	2419	2814	2796	1293	2.40	3244	-15 to +10	2.3	5/8	3/8

Notes: * BOM is in execution with flare valves and receiver. For different bill of material executions see codification page.

** Test Conditions: Ambient 32°C (90°F) | Max. subcooling 3°C (5°F) | Evaporator outlet and gas return 32°C (90°F).

Execution change has no impact on the performance and dimensions of unit.

	FAN			FAN MOTOR			WEIGHT (Only Reference) kg / lb	OVERALL DIMENSIONS				CONDENSER		MODEL	
	O.D. mm / inch	No. & Angle of Blades	No. of Fans	Air Flow Rate	Rated Output	Rated Input		Rated Input	A	B	C	DRAWING NUMBER	No. OF ROWS		No. OF TUBES
				m ³ /h	W	W		A	mm / inch	mm / inch	mm / inch				
	200 / 7.87	5/28°	1	360	10	36	0.25	14.5 / 32.0	431 / 16.97	306 / 12.05	226 / 8.90	1955183	2	8	UNB5132Z
	200 / 7.87	5/28°	1	410	9	34	0.45	14.5 / 32.0	431 / 16.97	306 / 12.05	226 / 8.90	1955183	2	8	UNB5132Z
	200 / 7.87	5/28°	1	300	10	36	0.25	15.5 / 34.2	431 / 16.97	306 / 12.05	226 / 8.90	1955183	3	8	UNB5144Z
	200 / 7.87	5/28°	1	340	9	34	0.45	15.5 / 34.2	430 / 16.90	306 / 12.05	226 / 8.90	1955183	3	8	UNB5144Z
	200 / 7.87	5/28°	1	300	10	36	0.25	16.6 / 36.6	431 / 16.97	306 / 12.05	226 / 8.90	1955183	3	8	UNB6144Z
								480 / 18.90	300 / 11.81	226 / 8.90	1955191				
	200 / 7.87	5/28°	1	340	9	34	0.45	16.6 / 36.6	431 / 16.97	306 / 12.05	226 / 8.90	1955183	3	8	UNB6144Z
	230 / 9.06	5/28°	1	420	10	36	0.25	16.7 / 36.8	435 / 17.13	306 / 12.05	254 / 10.00	1955183	3	9	UNE5170Z
	230 / 9.06	5/28°	1	420	10	36	0.25	16.7 / 36.8	435 / 17.13	306 / 12.05	254 / 10.00	1955183	3	9	UNE6160Z
								480 / 18.90	300 / 11.81	254 / 10.00	1955191				
	230 / 9.06	5/28°	1	480	9	34	0.45	16.7 / 36.8	435 / 17.13	306 / 12.05	254 / 10.00	1955183	3	9	UNE6160Z
	230 / 9.06	5/28°	1	420	10	36	0.25	16.7 / 36.8	435 / 17.13	306 / 12.05	254 / 10.00	1955183	3	9	UNE6170Z
								480 / 18.90	300 / 11.81	254 / 10.00	1955191				
	230 / 9.06	5/28°	1	420	10	36	0.25	16.7 / 36.8	435 / 17.13	306 / 12.05	254 / 10.00	1955183	3	9	UNE6170Z
	230 / 9.06	5/28°	1	480	9	34	0.45	16.7 / 36.8	435 / 17.13	306 / 12.05	254 / 10.00	1955183	3	9	UNE6170Z
	254 / 10.00	5/28°	1	595	16	60	0.42	21.0 / 46.3	467 / 18.39	339 / 13.35	296 / 11.65	1955287	3	11	UNE6187Z
	254 / 10.00	5/28°	1	595	16	60	0.42	21.0 / 46.3	465 / 18.31	340 / 13.39	296 / 11.65	1955184	3	11	UNE6187Z
	254 / 10.00	5/28°	1	660	16	58	0.36	21.0 / 46.3	467 / 18.39	339 / 13.35	296 / 11.65	1955287	3	11	UNE6187Z
	254 / 10.00	5/28°	1	660	16	58	0.74	21.0 / 46.3	467 / 18.39	339 / 13.35	296 / 11.65	1955287	3	11	UNE6187Z
	254 / 10.00	5/28°	1	595	16	60	0.42	21.7 / 47.8	467 / 18.39	339 / 13.35	296 / 11.65	1955287	3	11	UNE6187Z
	254 / 10.00	5/28°	1	595	16	60	0.42	21.7 / 47.8	465 / 18.31	340 / 13.39	296 / 11.65	1955184	3	11	UNE6187Z
	254 / 10.00	5/28°	1	660	16	58	0.36	21.7 / 47.8	467 / 18.39	339 / 13.35	296 / 11.65	1955287	3	11	UNE6187Z
	254 / 10.00	5/28°	1	660	16	58	0.36	21.7 / 47.8	465 / 18.31	340 / 13.39	296 / 11.65	1955184	3	11	UNE6187Z
	254 / 10.00	5/28°	1	660	16	58	0.74	21.7 / 47.8	467 / 18.39	339 / 13.35	296 / 11.65	1955287	3	11	UNE6187Z
	230 / 9.06	5/28°	1	420	10	36	0.25	17.7 / 39.4	435 / 17.13	306 / 12.05	254 / 10.00	1955183	3	9	UNEK6160Z
	230 / 9.06	5/28°	1	420	10	36	0.25	16.7 / 36.8	435 / 17.13	306 / 12.05	254 / 10.00	1955183	3	9	UNEK6170Z
	254 / 10.00	5/28°	1	320	16	60	0.42	21.0 / 46.3	467 / 18.39	339 / 13.35	296 / 11.65	1955287	3	11	UNEK6187Z
	254 / 10.00	5/28°	1	320	16	60	0.42	21.0 / 46.3	465 / 18.31	340 / 13.39	296 / 11.65	1955184	3	11	
	254 / 10.00	5/28°	1	595	16	60	0.42	21.7 / 47.8	467 / 18.39	339 / 13.35	296 / 11.65	1955287	3	11	UNEK6210Z
	254 / 10.00	5/28°	1	595	16	60	0.42	21.7 / 47.8	465 / 18.31	340 / 13.39	296 / 11.65	1955184	3	11	UNEK6210Z
	254 / 10.00	5/28°	1	595	16	60	0.42	23.0 / 51.2	467 / 18.39	339 / 13.35	296 / 11.65	1955287	3	11	UNEK6212Z
	254 / 10.00	5/28°	1	595	16	60	0.42	23.0 / 51.2	465 / 18.31	340 / 13.39	296 / 11.65	1955184	3	11	UNEK6212Z
	254 / 10.00	5/28°	1	595	16	60	0.42	23.3 / 51.4	467 / 18.39	339 / 13.35	296 / 11.65	1955287	3	11	UNEK6214Z
	254 / 10.00	5/28°	1	595	16	60	0.42	23.3 / 51.4	465 / 18.31	340 / 13.39	296 / 11.65	1955184	3	11	UNEK6214Z
	254 / 10.00	5/28°	1	660	16	58	0.36	23.4 / 51.6	476 / 18.74	353 / 13.90	296 / 11.65	1955394	3	11	UT6213Z
	254 / 10.00	5/28°	1	660	16	58	0.74	23.4 / 51.6	469 / 18.47	340 / 13.39	296 / 11.65	1955185	3	11	UT6213Z
	254 / 10.00	5/28°	1	595	16	60	0.42	26.1 / 58.0	476 / 18.74	353 / 13.90	296 / 11.65	1955394	3	11	UT6213Z
	254 / 10.00	5/28°	1	595	16	60	0.42	26.1 / 58.0	469 / 18.47	340 / 13.39	296 / 11.65	1955185	3	11	UT6213Z
	254 / 10.00	5/28°	1	595	16	60	0.42	23.4 / 51.6	476 / 18.74	353 / 13.90	296 / 11.65	1955394	3	11	UT6213Z
	254 / 10.00	5/28°	1	595	16	60	0.42	23.4 / 51.6	469 / 18.47	340 / 13.39	296 / 11.65	1955185	3	11	UT6213Z
	254 / 10.00	5/28°	1	740	25	90	0.62	24.5 / 54.5	476 / 18.74	353 / 13.90	296 / 11.65	1955394	3	11	UT6215Z
	254 / 10.00	5/28°	1	740	25	90	0.62	26.5 / 58.4	476 / 18.74	353 / 13.90	296 / 11.65	1955394	3	11	UT6215Z
	254 / 10.00	5/28°	1	740	25	90	0.62	26.5 / 58.4	469 / 18.47	340 / 13.39	296 / 11.65	1955185	3	11	UT6215Z
	254 / 10.00	5/28°	1	930	25	80	1.10	26.5 / 58.4	476 / 18.74	353 / 13.90	296 / 11.65	1955394	3	11	UT6215Z
	254 / 10.00	5/28°	1	740	25	80	0.55	26.5 / 58.4	476 / 18.74	353 / 13.90	296 / 11.65	1955394	3	11	UT6215Z
	254 / 10.00	5/28°	1	740	25	80	0.55	26.5 / 58.4	469 / 18.47	340 / 13.39	296 / 11.65	1955185	3	11	UT6215Z
	275 / 10.83	5/31°	1	830	34	100	1.35	34.0 / 75.0	518 / 20.39	395 / 15.55	324 / 12.76	1955194	3	12	UT6217Z
	254 / 10.00	5/28°	1	740	25	90	0.62	27.2 / 60.0	465 / 18.31	340 / 13.39	296 / 11.65	1955400	3	11	UNT6215Z
	275 / 10.83	5/31°	1	640	34	100	1.35	33.5 / 73.9	470 / 18.50	395 / 15.55	324 / 12.76	1955413	3	12	UNT6217Z
	275 / 10.83	5/31°	1	640	34	110	0.75	34.3 / 75.6	470 / 18.50	395 / 15.55	324 / 12.76	1955413	3	12	UNT6220Z
	275 / 10.83	5/31°	1	640	34	110	0.75	34.7 / 76.5	481 / 18.94	409 / 16.10	324 / 12.76	1955186	3	12	UNJ6220Z
	275 / 10.83	5/31°	1	720	25	80	0.55	34.7 / 76.5	481 / 18.94	409 / 16.10	324 / 12.76	1955186	3	12	UNJ6220Z
	275 / 10.83	5/31°	1	720	25	80	1.10	34.7 / 76.5	481 / 18.94	409 / 16.10	324 / 12.76	1955186	3	12	UNJ6220Z
	275 / 10.83	5/31°	1	640	34	110	0.75	37.5 / 82.7	481 / 18.94	409 / 16.10	324 / 12.76	1955186	3	12	UNJ6226Z
	275 / 10.83	5/31°	1	720	25	80	0.55	37.5 / 82.7	481 / 18.94	409 / 16.10	324 / 12.76	1955186	3	12	UNJ6226Z
	275 / 10.83	5/31°	1	640	34	100	0.38	34.7 / 76.5	481 / 18.94	409 / 16.10	324 / 12.76	1955186	3	12	UNJ6220ZX
	275 / 10.83	5/31°	1	640	34	100	0.38	34.7 / 76.5	481 / 18.94	409 / 16.10	324 / 12.76	1955186	3	12	UNJ6226ZX

R-22 - M/HBP

MODEL	B.O.M.*	ELECTRICAL VERSION	MOTOR TYPE	EXPANSIVE DEVICE	HP	PERFORMANCE / EVAPORATING TEMPERATURE °C - **										APPLICATION RANGE IN 43°C °C	RECEIVER VOLUME litre	VALVES TUBE LINE O.D.	
						-15	-10	-5	0	5	RATED 7.2			10	15			SUCTION inch	LIQUID inch
						W	W	W	W	W	W	W imp	RLA	W	W				
						W	W	W	W	W	W	W	W	W	W				
UNB6144E	684IA5212AA	A	CSIR	C-V	1/6	259	313	372	435	506	547	310	2.25	593	-	-15 to +10	0.6	3/8	1/4
	684IA8212AA																		
UNB6152E	684LA5212AA	A	CSIR	C-V	1/5	308	372	442	517	605	645	355	2.35	698	-	-15 to +10	0.6	3/8	1/4
	684LA8212AA																		
UNB6165E	684NA5212AA	A	CSIR	C-V	1/4-	372	451	541	634	733	779	470	2.95	837	-	-15 to +10	1.1	3/8	1/4
	684NA8212AA																		
UNE6181E	672LA5212AA	A	CSIR	C-V	1/4+	442	547	663	784	909	969	530	3.02	1030	-	-15 to +10	1.1	3/8	1/4
	672LA8212AA	A	CSIR	C-V	1/4+	442	547	663	784	909	969	530	3.02	1030	-				
	672LG5201AA	G	CSIR	C-V	1/3	577	681	808	957	1070	1128	680	7.74	1210	-				
UNE6195E	671LG5201AA	G	CSIR	C-V	1/3+	629	740	872	1022	1190	1278	683	7.48	1378	-	-15 to +10	1.0	3/8	1/4
UNE6210E	671NA5212AA	A	CSIR	C-V	1/3+	607	762	926	1102	1279	1365	600	3.42	1450	-	-15 to +10	1.1	3/8	1/4
	671NA8212AA	A	CSIR	C-V	1/3+	607	762	926	1102	1279	1365	600	3.42	1450	-				
UNE6211E	673GG5212AA	G	CSIR	C-V	1/2+	785	926	1099	1302	1456	1535	816	9.44	1646	-	-15 to +10	1.0	3/8	1/4
	673GG8212AA	G	CSIR	C-V	1/2+	785	926	1099	1302	1456	1535	816	9.44	1646	-				
UNE9213E	673EA8204AA	A	CSR	C-V	1/2-	663	829	1000	1198	1390	1483	775	3.65	1650	-	-15 to +10	1.2	3/8	1/4
	673ED8204AA	D	CSR	C-V	1/2	847	1058	1276	1502	1698	1808	939	4.58	1975	-				
UT6217E	636MA5204AA	A	CSR	C-V	1/2+	831	1032	1255	1500	1744	1892	778	3.69	2054	-	-15 to +10	2.3	1/2	3/8
	636MD5201AA	D	CSIR	C-V	2/3	909	1158	1424	1709	2013	2152	1069	7.45	2334	-				
	636MG5204AA	G	CSR	C-V	2/3	909	1158	1424	1709	2013	2153	1069	12.27	2334	-				
UT6220E	636LA5204AA	A	CSR	C-V	2/3	942	1221	1500	1788	2093	2227	1090	4.55	2407	-	-15 to +10	2.3	1/2	3/8
	636LD5204AA	D	CSR	C-V	3/4	1102	1492	1755	2092	2449	2605	1003	6.55	2816	-				
	636LG5204AA	G	CSR	C-V	3/4	1102	1492	1755	2092	2449	2605	1003	12.90	2816	-				
UT6222E	636YA5204AA	A	CSR	C-V	4/5+	1112	1441	1770	2110	2470	2628	1295	6.51	2840	-	-15 to +10	2.3	1/2	3/8
	636YD5204AA	D	CSR	C-V	3/4+	1361	1643	1900	2224	2608	2880	1264	7.55	3151	-				
	636YG5204AA	G	CSR	C-V	3/4+	1361	1643	1900	2224	2608	2880	1264	15.10	3151	-				
UNJ7228F	642FA5204AA	A	CSR	C-V	1-	-	-	-	2409	2796	2974	1296	6.19	3202	3623	0 to +15	2.3	5/8	3/8
UNJ7231F	644EA5604AA	A	CSR	C-V	1	-	-	-	2733	3324	3606	1460	6.31	3984	4715	0 to +15	3.9	5/8	1/2
UNJ7240F	643FA5604AA	A	CSR	C-V	1 1/2	-	-	-	3627	4455	4851	2048	10.31	5383	6410	0 to +15	3.9	5/8	1/2
UNJ7240P	647CM5603AA	M	3 Ph	C-V	1 1/2	-	-	-	4070	4733	5035	2120	4.35	5407	6163	0 to +15	3.9	5/8	1/2
UNJ9226E	644IV5604AA	V	CSR	C-V	3/4+	1221	1552	1895	2250	2605	2785	1230	5.75	2965	-	-15 to +10	2.3	5/8	3/8
	644IV5B04AA	V	CSR	C-V	3/4+	1221	1552	1895	2250	2605	2785	1230	5.80	2965	-				
UNJ9232E	643MV5604AA	V	CSR	C-V	1 1/5	1901	2279	2680	3140	3628	3860	1470	7.21	4163	-	-15 to +10	3.9	5/8	1/2
	643MV5B04AA	V	CSR	C-V	1 1/5	1901	2279	2680	3140	3628	3860	1470	7.90	4163	-				
UNJ9232P	647HM5603AA	M	3 Ph	C-V	1 1/5	1895	2233	2628	3047	3512	3721	1620	3.25	4012	-	-15 to +10	3.9	5/8	1/2
	647HM5B03AA	M	3 Ph	C-V	1 1/5	1895	2233	2628	3047	3512	3721	1620	3.60	4012	-				
UNJ9238E	643GV5604AA	V	CSR	C-V	1 1/3	2274	2561	2809	3436	4142	4478	1856	8.71	4927	-	-15 to +10	3.9	5/8	1/2
	643GV5B04AA	V	CSR	C-V	1 1/3	2274	2561	2809	3436	4142	4478	1856	8.80	4927	-				
UNJ9238P	647GM5603AA	M	3 Ph	C-V	1 1/3	1791	2261	2809	3436	4142	4478	1856	4.45	4927	-	-15 to +10	3.9	5/8	1/2
	647GM5B03AA	M	3 Ph	C-V	1 1/3	1791	2261	2809	3436	4142	4478	1856	4.80	4927	-				

Notes: * BOM is in execution with flare valves and receiver. For UNJ with ODS valves and receiver. For different bill of material executions see codification page.

** Test Conditions: Ambient 32°C (90°F) | Max. subcooling 3°C (5°F) | Evaporator outlet and gas return 32°C (90°F).
Execution change has no impact on the performance and dimensions of unit.

	FAN				FAN MOTOR			WEIGHT (Only Reference) kg / lb	OVERALL DIMENSIONS				CONDENSER		MODEL
	O.D. mm / inch	No. & Angle of Blades	No. of Fans	Air Flow Rate	Rated Output	Rated Input	Rated Input		A	B	C	DRAWING NUMBER	No. OF ROWS	No. OF TUBES	
				m ³ /h	W	W	A		mm / inch	mm / inch	mm / inch				
	200 / 7.87	5/28°	1	300	10	36	0.25	17.4 / 38.4	431 / 16.97	306 / 12.05	226 / 8.90	1955183	3	8	UNB6144E
									480 / 18.90	300 / 11.81	226 / 8.90	1955191			
	200 / 7.87	5/28°	1	300	10	36	0.25	17.4 / 38.4	431 / 16.97	306 / 12.05	226 / 8.90	1955183	3	8	UNB6152E
									480 / 18.90	300 / 11.81	226 / 8.90	1955191			
	230 / 9.06	5/28°	1	420	10	36	0.25	17.9 / 39.5	435 / 17.13	306 / 12.05	254 / 10.00	1955183	3	9	UNB6165E
									480 / 18.90	300 / 11.81	254 / 10.00	1955191			
	254 / 10.00	5/28°	1	595	16	60	0.42	20.0 / 44.1	467 / 18.39	339 / 13.35	296 / 11.65	1955287	3	11	UNE6181E
	254 / 10.00	5/28°	1	595	16	60	0.42	20.0 / 44.1	465 / 18.31	340 / 13.39	296 / 11.65	1955184	3	11	UNE6181E
	254 / 10.00	5/28°	1	660	16	58	0.74	20.0 / 44.1	467 / 18.39	339 / 13.35	296 / 11.65	1955287	3	11	UNE6181E
	254 / 10.00	5/28°	1	660	16	58	0.74	20.0 / 44.1	467 / 18.39	339 / 13.35	296 / 11.65	1955287	3	11	UNE6195E
	254 / 10.00	5/28°	1	595	16	60	0.42	20.8 / 45.8	467 / 18.39	339 / 13.35	296 / 11.65	1955287	3	11	UNE6210E
	254 / 10.00	5/28°	1	595	16	60	0.42	20.8 / 45.8	465 / 18.31	340 / 13.39	296 / 11.65	1955184	3	11	UNE6210E
	254 / 10.00	5/28°	1	660	16	58	0.74	20.5 / 45.2	467 / 18.39	339 / 13.35	296 / 11.65	1955287	3	11	UNE6211E
	254 / 10.00	5/28°	1	660	16	58	0.74	20.5 / 45.2	465 / 18.31	340 / 13.39	296 / 11.65	1955184	3	11	UNE6211E
	254 / 10.00	5/28°	1	740	25	90	0.62	20.8 / 45.8	465 / 18.19	340 / 13.39	296 / 11.65	1955414	3	11	UNE9213E
	254 / 10.00	5/28°	1	930	25	110	0.55	20.8 / 45.8	465 / 18.19	340 / 13.39	296 / 11.65	1955414	3	11	UNE9213E
	275 / 10.83	5/31°	1	640	34	110	0.75	31.7 / 39.9	518 / 20.39	395 / 15.55	324 / 12.76	1955194	3	12	UT6217E
	275 / 10.83	5/31°	1	720	25	80	0.55	31.7 / 39.9	518 / 20.39	395 / 15.55	324 / 12.76	1955194	3	12	UT6217E
	275 / 10.83	5/31°	1	850	34	100	1.35	31.7 / 39.9	518 / 20.39	395 / 15.55	324 / 12.76	1955194	3	12	UT6217E
	275 / 10.83	5/31°	1	640	34	110	0.75	32.2 / 70.9	518 / 20.39	395 / 15.55	324 / 12.76	1955194	3	12	UT6220E
	275 / 10.83	5/31°	1	850	34	100	1.35	32.2 / 70.9	518 / 20.39	395 / 15.55	324 / 12.76	1955194	3	12	UT6220E
	275 / 10.83	5/31°	1	720	25	80	1.10	32.2 / 70.9	518 / 20.39	395 / 15.55	324 / 12.76	1955194	3	12	UT6220E
	275 / 10.83	5/31°	1	640	34	110	0.75	34.7 / 76.5	518 / 20.39	395 / 15.55	324 / 12.76	1955194	3	12	UT6222E
	275 / 10.83	5/31°	1	720	25	80	0.55	34.7 / 76.5	518 / 20.39	395 / 15.55	324 / 12.76	1955194	3	12	UT6222E
	275 / 10.83	5/31°	1	850	34	100	1.35	34.7 / 76.5	518 / 20.39	395 / 15.55	324 / 12.76	1955194	3	12	UT6222E
	300 / 11.81	5/28°	1	700	34	110	0.75	40.0 / 88.2	512 / 20.16	410 / 16.14	390 / 15.35	1955195	4	14	UNJ7228F
	300 / 11.81	****	1	1450	****	88	0.38	42.8 / 94.3	600 / 23.62	440 / 17.32	379 / 14.92	1955406	3	14	UNJ7231F
	300 / 11.81	****	1	1300	****	88	0.38	46.8 / 103.2	600 / 23.62	440 / 17.32	379 / 14.92	1955406	4	14	UNJ7240F
	300 / 11.81	****	1	1300	****	124	0.55	45.8 / 100.1	600 / 23.62	440 / 17.32	379 / 14.92	1955406	4	14	UNJ7240P
	300 / 11.81	5/28°	1	700	34	110	0.75	37.5 / 82.7	507 / 19.96	410 / 16.14	390 / 15.35	1955195	4	14	UNJ9226E
	2x254/10.00	5/28°	2	1190	2x16	2x60	2x0.42	40.0 / 88.2	460 / 18.11	785 / 30.96	296 / 11.65	1955310	3	11	UNJ9226E
	300 / 11.81	****	1	1450	****	88	0.38	43.8 / 96.6	600 / 23.62	440 / 17.32	379 / 14.92	1955406	3	14	UNJ9232E
	2x254/10.00	5/28°	2	1190	2x16	2x60	2x0.42	44.0 / 97.0	460 / 18.11	785 / 30.96	296 / 11.65	1955310	3	11	UNJ9232E
	300 / 11.81	****	1	1450	****	124	0.55	44.0 / 97.0	600 / 23.62	440 / 17.32	379 / 14.92	1955406	3	14	UNJ9232P
	2x254/10.00	5/28°	2	1400	2x34	2x100	2x0.38	44.0 / 97.0	490 / 19.29	785 / 30.96	296 / 11.65	1955310	3	11	UNJ9232P
	300 / 11.81	****	1	1300	****	88	0.38	45.3 / 99.9	600 / 23.62	440 / 17.32	379 / 14.92	1955406	4	14	UNJ9238E
	2x254/10.00	5/28°	2	1190	2x16	2x60	2x0.42	45.0 / 99.2	460 / 18.11	785 / 30.96	296 / 11.65	1955310	4	11	UNJ9238E
	300 / 11.81	****	1	1300	****	124	0.55	45.3 / 99.9	600 / 23.62	440 / 17.32	379 / 14.92	1955406	4	14	UNJ9238P
	2x254/10.00	5/28°	2	1600	2x34	2x100	2x0.38	45.0 / 99.2	490 / 19.29	785 / 30.96	296 / 11.65	1955310	4	11	UNJ9238P

R-404A / R-507 - MBP

MODEL	B.O.M.*	ELECTRICAL VERSION	MOTOR TYPE	EXPANSIVE DEVICE	HP	PERFORMANCE / EVAPORATING TEMPERATURE °C - **										APPLICATION RANGE IN 43°C	RECEIVER VOLUME	VALVES	
						-20	-15	-10	-5	0	5	RATED 7.2			10			SUCTION	LIQUID
						W	W	W	W	W	W	W	W inp	RLA	W				
UNB6144GK	684JA5212AA	A	CSIR	C-V	1/6	228	283	341	402	467	537	570	362	2.35	610	-20 to 0	0.6	3/8	1/4
	684JA8212AA	A	CSIR	C-V	1/6	228	283	341	402	467	537	570	362	2.35	610	-20 to 0	0.6	3/8	1/4
	684JG5201AA	G	CSIR	C-V	1/5	280	342	410	483	563	647	687	389	5.02	738	-20 to 0	0.5	3/8	1/4
UNB6152GK	684MA5212AA	A	CSIR	C-V	1/5	239	296	362	436	519	602	654	501	2.55	726	-20 to 0	0.6	3/8	1/4
	684MA8212AA	A	CSIR	C-V	1/5	239	296	362	436	519	602	654	501	2.55	726	-20 to 0	0.6	3/8	1/4
UNB6165GK	684OA5212AA	A	CSIR	C-V	1/5	271	336	405	478	556	638	677	410	3.15	711	-20 to 0	1.1	3/8	1/4
	684OA8212AA	A	CSIR	C-V	1/5	271	336	405	478	556	638	677	410	3.15	711	-20 to 0	1.1	3/8	1/4
	684OG5212AA	G	CSIR	C-V	1/4	328	392	459	524	636	763	823	517	7.25	903	-20 to 0	1.0	3/8	1/4
UNE6181GK	672UA5212AA	A	CSIR	C-V	1/3	406	505	613	730	856	990	1192	590	2.70	1130	-20 to 0	1.1	3/8	1/4
	672UA8212AA	A	CSIR	C-V	1/3	406	505	613	730	856	990	1192	590	2.70	1130	-20 to 0	1.1	3/8	1/4
	672UG5212AA	G	CSIR	C-V	1/2-	420	556	716	903	1115	1532	1480	582	8.74	1616	-20 to 0	1.0	3/8	1/4
UNE6210GK	672UG8212AA	G	CSIR	C-V	1/2-	420	556	716	903	1115	1532	1480	582	8.74	1616	-20 to 0	1.0	3/8	1/4
	671YA5212AA	A	CSIR	C-V	1/3	470	557	663	786	928	1087	1164	652	3.72	1265	-20 to 0	1.1	3/8	1/4
	671YA8212AA	A	CSIR	C-V	1/3	470	557	663	786	928	1087	1164	652	3.72	1265	-20 to 0	1.1	3/8	1/4
UNE9213GK	673XA8204AA	A	CSR	C-V	1/2-	626	785	945	1106	1267	1430	1502	843	3.92	1756	-20 to 0	1.2	3/8	1/4
UNEK6144GK	557GA5212AA	A	CSIR	C-V	1/5+	240	298	359	423	490	564	600	380	2.02	640	-20 to 0	0.6	3/8	1/4
UNEK6165GK	557IA5212AA	A	CSIR	C-V	1/4	382	429	504	588	660	771	805	471	2.79	867	-20 to 0	1.1	3/8	1/4
	557IA8212AA	A	CSIR	C-V	1/4	382	429	504	588	660	771	805	471	2.79	867	-20 to 0	1.1	3/8	1/4
UNEK6181GK	557MA5212AA	A	CSIR	C-V	1/2	427	530	644	767	900	1040	1252	620	2.70	1130	-20 to 0	1.1	3/8	1/4
	557MA8212AA	A	CSIR	C-V	1/2	427	530	644	767	900	1040	1252	620	2.70	1130	-20 to 0	1.1	3/8	1/4
UNEK6210GK	674CA5212AA	A	CSIR	C-V	1/3+	581	670	665	886	1032	1228	1302	628	3.91	1428	-20 to 0	1.1	3/8	1/4
	674CA8212AA	A	CSIR	C-V	1/3+	581	670	665	886	1032	1228	1302	628	3.91	1428	-20 to 0	1.1	3/8	1/4
UNEK6213GK	659BA5212AA	A	CSIR	C-V	1/2-	734	904	1064	1213	1352	1468	1531	1074	5.97	1787	-20 to 0	1.1	3/8	1/4
	659BA8212AA	A	CSIR	C-V	1/2-	734	904	1064	1213	1352	1468	1531	1074	5.97	1787	-20 to 0	1.1	3/8	1/4
UNEK6217GK	559GA5204AA	A	CSR	C-V	1/2+	741	960	1180	1406	1640	1880	1985	1136	5.55	2058	-20 to 0	2.3	3/8	3/8
UT6217GK	636VA5212AA	A	CSIR	C-V	1/2+	748	955	1144	1398	1635	1881	1994	1102	5.47	2137	-20 to 0	2.3	1/2	3/8
	636VG5204AA	G	CSR	C-V	2/3-	740	1023	1280	1515	1724	1854	1990	1283	14.35	2072	-20 to 0	2.3	1/2	3/8
	636VD5201AA	D	CSIR	C-V	2/3-	740	1023	1280	1515	1724	1854	1985	1283	7.33	2072	-20 to 0	2.3	1/2	3/8
UT6220GK	636RA5204AA	A	CSR	C-V	3/4-	856	1106	1363	1626	1894	2170	2293	1212	5.85	2450	-20 to 0	2.3	1/2	3/8
	636RG5204AA	G	CSR	C-V	3/4+	1002	1294	1595	1902	2216	2539	2683	1331	16.10	2867	-20 to 0	2.3	1/2	3/8
	636RD5204AA	D	CSR	C-V	3/4+	1002	1294	1595	1902	2216	2539	2683	1134	7.07	2867	-20 to 0	2.3	1/2	3/8
UT6222GK	636ZA5204AA	A	CSR	C-V	3/4	1105	1370	1636	1899	2162	2424	2540	1419	6.95	2686	-20 to 0	2.3	1/2	3/8
	636ZD5204AA	D	CSR	C-V	1-	1307	1530	1802	1900	2251	2712	3000	1426	8.25	3214	-20 to 0	2.3	1/2	3/8
UNT6217GK***	604AA5204AA	A	CSR	C-V	UD	UD	UD	UD	UD	UD	UD	UD	UD	UD	UD	-20 to 0	2.3	1/2	3/8
UNT6220GK***	602BN5204AA	N	CSR	C-V	3/4	793	1024	1262	1506	1754	2009	2124	1095	5.15	2268	-20 to 0	2.3	1/2	3/8
UNT6222GK***	602CA5204AA	A	CSR	C-V	UD	UD	UD	UD	UD	UD	UD	UD	UD	UD	UD	-20 to 0	2.3	1/2	3/8
UNT6226GK***	603BA5204AA	A	CSR	C-V	1+	1266	1568	1878	2198	2526	2864	3016	1500	7.27	3210	-20 to 0	2.3	1/2	3/8
	603BA5804AA	A	CSR	C-V	1+	1266	1568	1878	2198	2526	2864	3016	1500	8.17	3210	-20 to 0	2.3	1/2	3/8
UNJ9226GK	644LV5604AA	V	CSR	C-V	1-	1215	1537	1873	2223	2588	2967	3141	1403	6.70	3360	-20 to 0	2.3	5/8	3/8
	644LV5804AA	V	CSR	C-V	1-	1215	1537	1873	2223	2588	2967	3141	1403	6.79	3360	-20 to 0	2.3	5/8	3/8
	644LD5604AA	D	CSR	C-V	1 1/6	1522	1745	2077	2338	2890	3508	3850	1432	7.65	4194	-20 to 0	2.3	5/8	3/8
	644LD5804AA	D	CSR	C-V	1 1/6	1522	1745	2077	2338	2890	3508	3850	1432	7.72	4194	-20 to 0	2.3	5/8	3/8
UNJ9226GS	648LM5603AA	M	3 Ph	C-V	1-	1206	1523	1822	2094	2364	2616	2720	1300	2.78	2831	-20 to 0	2.3	5/8	3/8
	648LM5803AA	M	3 Ph	C-V	1-	1206	1523	1822	2094	2364	2616	2720	1300	3.90	2831	-20 to 0	2.3	5/8	3/8
UNJ9232GK	643NA5604AA	A	CSR	C-V	1	1412	1764	2124	2512	2898	3294	3474	1728	8.12	3696	-20 to 0	3.9	5/8	1/2
	643NA5804AA	A	CSR	C-V	1	1408	1764	2124	2512	2898	3294	3474	1719	8.38	3696	-20 to 0	2.3	5/8	1/2
UNJ9232GS	647NM5603AA	M	3 Ph	C-V	1	1467	1855	2219	2550	2879	3186	3365	1685	3.35	3448	-20 to 0	3.9	5/8	1/2
	647NM5803AA	M	3 Ph	C-V	1	1467	1855	2219	2550	2879	3186	3365	1709	4.40	3448	-20 to 0	2.3	5/8	1/2
UNJ9238GK	643RV5604AA	V	CSR	C-V	1 1/4	1748	2147	2560	3157	3434	3895	4104	2221	10.01	4372	-20 to 0	3.9	5/8	1/2
	643RV5804AA	V	CSR	C-V	1 1/4	1748	2147	2560	3157	3434	3895	4104	2221	11.19	4372	-20 to 0	2.3	5/8	1/2
UNJ9238GS	647RM5603AA	M	3 Ph	C-V	1 1/4	1872	2268	2685	3134	3638	4172	4419	2332	4.49	4737	-20 to 0	3.9	5/8	1/2
	647RM5803AA	M	3 Ph	C-V	1 1/4	1872	2268	2685	3117	3585	4021	4231	2215	5.48	4487	-20 to 0	2.3	5/8	1/2

Notes: * BOM is in execution with flare valves and receiver. For UNJ with ODS valves and receiver. For different bill of material executions see codification page.
 ** Test Conditions: Ambient 32°C (90°F) | Max. subcooling 3°C (5°F) | Evaporator outlet and gas return 32°C (90°F).
 Execution change has no impact on the performance and dimensions of unit. | *** Available also in CSIR execution and assembly group 1955413.
 **** Axial fan. | UD - Under Development.

R-290 - HBP

MODEL	B.O.M.*	ELECTRICAL VERSION	MOTOR TYPE	EXPANSIVE DEVICE	HP	PERFORMANCE / EVAPORATING TEMPERATURE °C - **										APPLICATION RANGE IN 43°C	RECEIVER VOLUME	VALVES	
						-15	-10	-5	0	5	RATED 7.2			10	SUCTION			LIQUID	
						W	W	W	W	W	W	W inp	RLA	W					inch
UNEK6210U	552CA5212AA	A	CSIR	C-V	1/3	559	664	782	911	1053	1120	471	3.08	1208	-15 to +10	1.2	3/8	1/4	
UNEK6213U	553CA5212AA	A	CSIR	C-V	1/3+	714	842	975	1115	1261	1328	732	4.60	1413	-15 to +10	1.2	3/8	1/4	
UT6220U	531BA5201AA	A	CSIR	C-V	1/2+	865	1046	1248	1472	1716	1831	864	5.10	1981	-15 to +10	2.3	3/8	3/8	
UT6222U	536VA5204AA	A	CSR	C-V	1/2+	963	1169	1391	1629	1883	2001	909	4.41	2153	-15 to +10	2.3	3/8	3/8	
UNT6217U	602FA5612AA	A	CSIR	C-V	1/2	796	956	1141	1350	1583	1694	707	4.56	1840	-15 to +10	2.3	3/8	3/8	

Notes: * BOM is in execution with flare valves and receiver. For different bill of material executions see codification page.
 Execution change has no impact on the performance and dimensions of unit.
 ** Test Conditions: Ambient 32°C (90°F) | Max. subcooling 3°C (5°F) | Evaporator outlet and gas return 32°C (90°F).

	FAN				FAN MOTOR			WEIGHT (Only Reference) kg / lb	OVERALL DIMENSIONS				CONDENSER		MODEL
	O.D. mm / inch	No. & Angle of Blades	No. of Fans	Air Flow Rate*	Rated Output	Rated Input	Rated Input		A	B	C	DRAWING NUMBER	No. OF ROWS	No. OF TUBES	
				m ³ (h)	W	W	A		mm / inch	mm / inch	mm / inch				
	200 / 7.87	5/28°	1	300	10	36	0.25	17.4 / 38.4	431 / 16.97	306 / 12.05	226 / 8.90	1955183	3	8	UNB6144GK
								480 / 18.90	300 / 11.81	226 / 8.90	1955191				
	200 / 7.87	5/28°	1	340	9	34	0.45	17.4 / 38.4	431 / 16.97	306 / 12.05	226 / 8.90	1955183	3	8	
	200 / 7.87	5/28°	1	300	10	36	0.25	17.4 / 38.4	431 / 16.97	306 / 12.05	226 / 8.90	1955183	3	8	UNB6152GK
								480 / 18.90	300 / 11.81	226 / 8.90	1955191				
	230 / 9.06	5/28°	1	420	10	36	0.25	17.9 / 39.5	435 / 17.13	306 / 12.05	254 / 10.00	1955183	3	9	UNB6165GK
								480 / 18.90	300 / 11.81	254 / 10.00	1955191				
	230 / 9.06	5/28°	1	480	9	34	0.45	17.9 / 39.5	435 / 17.13	306 / 12.05	254 / 10.00	1955183	3	9	
	230 / 9.06	5/28°	1	480	9	34	0.45	17.9 / 39.5	480 / 18.90	300 / 11.81	254 / 10.00	1955191	3	9	
	254 / 10.00	5/28°	1	595	16	60	0.42	20.0 / 44.1	467 / 18.39	339 / 13.35	296 / 11.65	1955287	3	11	UNE6181GK
	254 / 10.00	5/28°	1	595	16	60	0.42	20.0 / 44.1	465 / 18.31	340 / 13.39	296 / 11.65	1955184	3	11	
	254 / 10.00	5/28°	1	660	16	58	0.74	20.0 / 44.1	467 / 18.39	339 / 13.35	296 / 11.65	1955287	3	11	
	254 / 10.00	5/28°	1	660	16	58	0.74	20.0 / 44.1	465 / 18.31	340 / 13.39	296 / 11.65	1955184	3	11	UNE6210GK
	254 / 10.00	5/28°	1	595	16	60	0.42	20.8 / 45.8	467 / 18.39	339 / 13.35	296 / 11.65	1955287	3	11	
	254 / 10.00	5/28°	1	595	16	60	0.42	20.8 / 45.8	465 / 18.31	340 / 13.39	296 / 11.65	1955184	3	11	
	254 / 10.00	5/28°	1	595	16	60	0.42	20.8 / 45.8	465 / 18.31	340 / 13.39	296 / 11.65	1955414	3	11	UNE9213GK
	230 / 9.06	5/28°	1	420	10	36	0.25	17.8 / 39.4	435 / 17.13	306 / 12.05	254 / 10.00	1955183	3	9	UNEK6144GK
	230 / 9.06	5/28°	1	420	10	36	0.25	17.9 / 39.5	435 / 17.13	306 / 12.05	254 / 10.00	1955183	3	9	UNEK6165GK
								480 / 18.90	300 / 11.81	254 / 10.00	1955191				
	254 / 10.00	5/28°	1	595	16	60	0.42	21.6 / 48.0	467 / 18.39	339 / 13.35	296 / 11.65	1955287	3	11	UNEK6181GK
	254 / 10.00	5/28°	1	595	16	60	0.42	21.6 / 48.0	465 / 18.31	340 / 13.39	296 / 11.65	1955184	3	11	
	254 / 10.00	5/28°	1	595	16	60	0.42	20.8 / 45.8	467 / 18.39	339 / 13.35	296 / 11.65	1955287	3	11	
	254 / 10.00	5/28°	1	595	16	60	0.42	20.8 / 45.8	465 / 18.31	340 / 13.39	296 / 11.65	1955184	3	11	UNEK6210GK
	254 / 10.00	5/28°	1	595	16	60	0.42	20.8 / 45.8	467 / 18.39	339 / 13.35	296 / 11.65	1955287	3	11	UNEK6213GK
	254 / 10.00	5/28°	1	595	16	60	0.42	20.8 / 45.8	465 / 18.31	340 / 13.39	296 / 11.65	1955184	3	11	
	254 / 10.00	5/28°	1	595	16	60	0.42	20.8 / 45.8	465 / 18.31	340 / 13.39	296 / 11.65	1955184	3	11	
	275 / 10.83	5/31°	1	640	34	110	0.75	30.2 / 67.2	470 / 18.50	395 / 15.55	324 / 12.76	1955411	3	12	UNEK6217GK
	275 / 10.83	5/31°	1	640	34	110	0.75	31.7 / 39.9	542 / 21.34	395 / 15.55	324 / 12.76	1955194	3	12	UT6217GK
	275 / 10.83	5/31°	1	850	34	100	1.35	31.7 / 39.9	518 / 20.39	395 / 15.55	324 / 12.76	1955194	3	12	
	275 / 10.83	5/31°	1	720	25	80	0.55	31.7 / 39.9	518 / 20.39	395 / 15.55	324 / 12.76	1955194	3	12	
	275 / 10.83	5/31°	1	640	34	110	0.75	32.2 / 70.9	518 / 20.39	395 / 15.55	324 / 12.76	1955194	3	12	UT6220GK
	275 / 10.83	5/31°	1	720	25	80	1.10	32.2 / 70.9	518 / 20.39	395 / 15.55	324 / 12.76	1955194	3	12	
	275 / 10.83	5/31°	1	720	25	80	0.55	32.2 / 70.9	518 / 20.39	395 / 15.55	324 / 12.76	1955194	3	12	
	275 / 10.83	5/31°	1	640	34	110	0.75	34.7 / 76.5	518 / 20.39	395 / 15.55	324 / 12.76	1955194	3	12	UT6222GK
	275 / 10.83	5/31°	1	720	25	80	0.55	34.7 / 76.5	518 / 20.39	395 / 15.55	324 / 12.76	1955194	3	12	
	275 / 10.83	5/31°	1	720	25	80	0.55	32.2 / 70.9	518 / 20.39	395 / 15.55	324 / 12.76	1955194	3	12	
	275 / 10.83	5/31°	1	640	34	110	0.75	33.3 / 73.4	470 / 18.50	395 / 15.55	324 / 12.76	1955410	3	12	UNT6217GK***
	275 / 10.83	5/31°	1	640	34	110	0.75	33.3 / 73.4	470 / 18.50	395 / 15.55	324 / 12.76	1955401	3	12	UNT6220GK ***
	275 / 10.83	5/31°	1	640	34	110	0.75	33.3 / 73.4	470 / 18.50	395 / 15.55	324 / 12.76	1955401	3	12	UNT6222GK ***
	300 / 11.81	5/28°	1	700	34	110	0.75	35.4 / 78.0	500 / 15.69	405 / 15.95	390 / 15.35	1955402	4	14	UNT6226GK ***
	2x254/10.00	5/28°	2	1190	2x16	2x60	2x0.42	40.0 / 88.2	440 / 17.32	600 / 23.62	296 / 11.65	1955415	3	11	
	300 / 11.81	5/28°	1	700	34	110	0.75	37.5 / 82.7	512 / 20.16	410 / 16.14	390 / 15.35	1955195	4	14	UNJ9226GK
	2x254/10.00	5/28°	2	1190	2x16	2x60	2x0.42	40.0 / 88.2	440 / 17.32	612 / 24.09	296 / 11.65	1955312	3	11	
	300 / 11.81	5/28°	1	700	34	100	0.65	37.5 / 82.7	512 / 20.16	410 / 16.14	390 / 15.35	1955195	4	14	
	2x254/10.00	5/28°	2	1190	2x16	2x58	2x0.36	40.0 / 88.2	440 / 17.32	612 / 24.09	296 / 11.65	1955312	3	11	UNJ9226GS
	300 / 11.81	5/28°	1	700	34	100	0.38	42.5 / 93.7	512 / 20.16	410 / 16.14	390 / 15.35	1955195	4	14	
	2x254/10.00	5/28°	2	1400	2X34	2x110	2x0.75	40.0 / 88.2	490 / 19.29	785 / 30.96	296 / 11.65	1955310	3	11	
	300 / 11.81	****	1	1450	****	88	0.38	42.3 / 93.2	600 / 23.62	440 / 17.32	379 / 14.92	1955406	3	14	UNJ9232GK
	2x254/10.00	5/28°	2	850	2x16	2x60	2x0.42	44.0 / 97.0	460 / 18.11	785 / 30.96	296 / 11.65	1955310	3	11	UNJ9232GS
	300 / 11.81	****	1	1450	****	124	0.55	43.8 / 96.5	600 / 23.62	440 / 17.32	379 / 14.92	1955406	3	14	
	2x254/10.00	5/28°	2	1400	2X34	2x110	2x0.75	44.0 / 97.0	490 / 19.29	785 / 30.96	296 / 11.65	1955310	3	11	
	300 / 11.81	****	1	1300	****	88	0.38	45.3 / 99.9	600 / 23.62	440 / 17.32	379 / 14.92	1955406	4	14	UNJ9238GK
	2x254/10.00	5/28°	2	1140	2x16	2x60	2x0.42	45.0 / 99.2	460 / 18.11	785 / 30.96	296 / 11.65	1955310	4	11	UNJ9238GS
	300 / 11.81	****	1	1300	****	124	0.55	45.3 / 99.9	600 / 23.62	440 / 17.32	379 / 14.92	1955406	4	14	
	2x254/10.00	5/28°	2	1600	2x34	2x110	2x0.75	45.0 / 99.2	490 / 19.29	785 / 30.96	296 / 11.65	1955310	4	11	

	FAN				FAN MOTOR			WEIGHT (Only Reference) kg / lb	OVERALL DIMENSIONS				CONDENSER		MODEL
	O.D. mm / inch	No. & Angle of Blades	No. of Fans	Air Flow Rate*	Rated Output	Rated Input	Rated Input		A	B	C	DRAWING NUMBER	No. OF ROWS	No. OF TUBES	
				m ³ (h)	W	W	A		mm / inch	mm / inch	mm / inch				
	254 / 10.00	5/28°	1	595	16	60	0.42	23.8 / 53.0	467 / 18.39	339 / 13.35	296 / 11.65	1955287	3	11	UNEK6210U
	254 / 10.00	5/28°	1	595	16	60	0.42	23.8 / 53.0	467 / 18.39	339 / 13.35	296 / 11.65	1955287	3	11	UNEK6213U
	275 / 10.83	5/31°	1	640	34	110	0.75	33.3 / 73.4	518 / 20.39	395 / 15.55	324 / 12.76	1955194	3	12	UT6220U
	275 / 10.83	5/31°	1	640	34	110	0.75	33.3 / 73.4	518 / 20.39	395 / 15.55	324 / 12.76	1955194	3	12	UT6222U
	275 / 10.83	5/31°	1	640	34	110	0.75	33.3 / 73.4	470 / 18.50	395 / 15.55	324 / 12.76	1955413	3	12	UNT6217U

GEMINI R-404A - LBP

MODEL	B.O.M.*	ELECTRICAL VERSION	MOTOR TYPE	EXPANSIVE DEVICE	HP	PERFORMANCE / EVAPORATING TEMPERATURE °C - **										APPLICATION RANGE IN 43°C °C	RECEIVER VOLUME litre	VALVE	
						-40	-35	-30	-25	RATED -23.3			-20	-15	-10			LIQUID inch	
						W	W	W	W	W	W _{inp}	RLA	W	W	W				
						W	W	W	W	W	W _{inp}	RLA	W	W	W				
UGT2155GK	636CAG004AA	A	CSR	C-V	1 1/4	474	680	924	1200	1312	1040	5.20	1530	1884	2246	-40 to -10	2.3	3/8	
UGT2178GK	636QAG004AA	A	CSR	C-V	1 3/4	874	1172	1504	1894	2146	1540	7.80	2330	2820	3386	-40 to -10	2.3	3/8	
UGT2180GJ	636IAG004AA	A	CSR	C-V	2	900	1220	1594	1989	2135	1708	7.00	2510	3120	3795	-40 to -10	2.3	3/8	
UGNJ2192GK	644AAG004AA	A	CSR	C-V	2 1/4	906	1224	1590	2174	2396	1884	8.62	2746	3374	4060	-40 to -10	2.3	3/8	
UGNJ2192GS	648AMG003AA	M	3 Ph	C-V	2 1/4	906	1224	1590	2000	2162	1800	4.20	2466	2976	3534	-40 to -10	2.3	3/8	
UGNJ2212GK	643TAG004AA	A	CSR	C-V	2 3/4	1232	1772	2326	2958	3198	2350	12.20	3652	4396	5210	-40 to -10	2.3	3/8	
UGNJ2212GS	647AMG003AA	M	3 Ph	C-V	2 3/4	1232	1772	2326	2958	3198	2958	4.60	3652	4396	5210	-40 to -10	2.3	3/8	

Notes: *BOM in execution with liquid valve, receiver, filter drier, sight glass and pressostat.
Gewiss box for 3 ph units is in the same position as 1 ph CSR box.
**Test Conditions: Ambient 32°C (90°F) / Max. subcooling 3°C (5°F) / Evaporator outlet and gas return 32°C (90°F).

GEMINI R-134a - M/HBP

MODEL	B.O.M.*	ELECTRICAL VERSION	MOTOR TYPE	EXPANSIVE DEVICE	HP	PERFORMANCE / EVAPORATING TEMPERATURE °C - **										APPLICATION RANGE IN 43°C °C	RECEIVER VOLUME litre	VALVE	
						-20	-15	-10	-5	0	5	RATED 7.2			10			LIQUID inch	
						W	W	W	W	W	W	W	W _{inp}	RLA	W				
						W	W	W	W	W	W	W	W _{inp}	RLA	W				
UGNJ6220ZX	548PMG003AA	M	3 Ph	C-V	1 1/2	-	1988	2512	3058	3686	4308	4570	2008	3.20	4976	-15 to +10	2.3	3/8	
UGNJ6226ZX	546EMG003AA	M	3 Ph	C-V	2	-	2744	3372	4070	4838	5628	6012	2586	4.60	6488	-15 to +10	2.3	3/8	

Notes: *BOM in execution with liquid valve, receiver, filter drier, sight glass and pressostat.
Gewiss box for 3 ph units is in the same position as 1 ph CSR box.
**Test Conditions: Ambient 32°C (90°F) / Max. subcooling 3°C (5°F) / Evaporator outlet and gas return 32°C (90°F).

GEMINI R-404A - M/HBP

MODEL	B.O.M.*	ELECTRICAL VERSION	MOTOR TYPE	EXPANSIVE DEVICE	HP	PERFORMANCE / EVAPORATING TEMPERATURE °C - **										APPLICATION RANGE IN 43°C °C	RECEIVER VOLUME litre	VALVE	
						-20	-15	-10	-5	0	5	RATED 7.2			10			LIQUID inch	
						W	W	W	W	W	W	W	W _{inp}	RLA	W				
						W	W	W	W	W	W	W	W _{inp}	RLA	W				
UGNJ9226GK	644LVG004AA	V	CSR	C-V	2	2656	3074	3702	4358	5044	5758	6082	2806	12.80	6500	-20 to 0	2.3	3/8	
UGNJ9226GS	648LMG003AA	M	3 Ph	C-V	2	2412	3046	3644	4188	4728	5232	5440	2600	7.80	5662	-20 to 0	2.3	3/8	
UGNJ9232GK	643NAG004AA	A	CSR	C-V	2 1/2	2844	3532	4230	4938	5660	6392	6722	3438	16.80	7138	-20 to 0	2.3	3/8	
UGNJ9232GS	647NMG003AA	M	3 Ph	C-V	2 1/2	2934	3710	4438	5100	5758	6372	6730	3418	5.60	8538	-20 to 0	2.3	3/8	
UGNJ9238GK	643RVG004AA	V	CSR	C-V	3	3496	4294	5120	6314	6868	7790	8208	4442	20.20	8744	-20 to 0	2.3	3/8	
UGNJ9238GS	647RMG003AA	M	3 Ph	C-V	3	3634	4594	5496	6314	7130	7966	8332	4370	7.20	8538	-20 to 0	2.3	3/8	

Notes: *BOM in execution with liquid valve, receiver, filter drier, sight glass and pressostat.
Gewiss box for 3 ph units is in the same position as 1 ph CSR box.
**Test Conditions: Ambient 32°C (90°F) / Max. subcooling 3°C (5°F) / Evaporator outlet and gas return 32°C (90°F).

	FAN				FAN MOTOR			WEIGHT (Only Reference) kg	OVERALL DIMENSIONS				CONDENSER		MODEL
	O.D. mm	No. & Angle of Blades	No. of Fans	Air Flow Rate	Rated Output	Rated Input	Rated Input		L mm	W mm	H mm	DRAWING NUMBER*	No. OF ROWS	No. OF TUBES	
				m ³ (h)	W	W	A								
	254	5/28°	2	1325	2x16	2x60	2x0.42	80	850	530	293	1955332	4	11	UGT2155GK
	254	5/28°	2	1325	2x16	2x60	2x0.42	80	850	530	293	1955332	4	11	UGT2178GK
	254	5/28°	2	1325	2x16	2x60	2x0.42	80	850	530	293	1955332	4	11	UGT2180GJ
	254	5/28°	2	1325	2x16	2x60	2x0.42	85	1093	551	311	1955339	4	11	UGNJ2192GK
	254	5/28°	2	1700	2x34	2x100	2x0.38	85	1093	551	311	1955339	4	11	UGNJ2192G5
	254	5/28°	2	1325	2x16	2x60	2x0.42	87	1093	551	311	1955339	4	11	UGNJ2212GK
	254	5/28°	2	1700	2x34	2x100	2x0.38	87	1093	551	311	1955339	4	11	UGNJ2212G5

	FAN				FAN MOTOR			WEIGHT (Only Reference) kg	OVERALL DIMENSIONS				CONDENSER		MODEL
	O.D. mm	No. & Angle of Blades	No. of Fans	Air Flow Rate	Rated Output	Rated Input	Rated Input		L mm	W mm	H mm	DRAWING NUMBER	No. OF ROWS	No. OF TUBES	
				m ³ (h)	W	W	A								
	250	7	2	3020		2x100	2x0.2	84	1093	551	311	1955365	4	11	UGNJ6220ZX
	250	7	2	3020		2x100	2x0.2	84	1093	551	311	1955365	4	11	UGNJ6226ZX

	FAN				FAN MOTOR			WEIGHT (Only Reference) kg / lb	OVERALL DIMENSIONS				CONDENSER		MODEL
	O.D. mm	No. & Angle of Blades	No. of Fans	Air Flow Rate	Rated Output	Rated Input	Rated Input		L mm	W mmh	H mm	DRAWING NUMBER	No. OF ROWS	No. OF TUBES	
				m ³ (h)	W	W	A								
	250	7	2	3008		2x115	2x0.51	86	1093	551	311	1955365	4	11	UGNJ9226GK
	250	7	2	3020		2x100	2x0.2	86	1093	551	311	1955365	4	11	UGNJ9226G5
	250	7	3	3595		3x115	3x0.51	87	1093	551	311	1955367	4	11	UGNJ9232GK
	250	7	3	3660		3x100	3x0.2	87	1093	551	311	1955367	4	11	UGNJ9232G5
	250	7	3	3595		3x115	3x0.51	87	1093	551	311	1955367	4	11	UGNJ9238GK
	250	7	3	3660		3x100	3x0.2	87	1093	551	311	1955367	4	11	UGNJ9238G5

ARMONIA R-22 - LBP

MODEL	B.O.M.	VOLTAGE	PHASES	HP	AMBIENT °C	-30 W	-25 W	-20 W	-15 W	-10 W	SOUND dB(A) at 10 m	SIZE (L x W x H) mm	INLET TUBE DIAMETER mm	TUBE DIAMETER mm	RECEIVER L
UHNJ2178E	644GAH204AA	A	1	1 1/5	32	779	965	1221	1547	1942	30.7	1000 x 428 x 728	10	8	2.3
UHNJ2190E	543NVH204AA	V	1	1 1/3	32	802	1186	1387	1789	2132	32.0	1000 x 428 x 728	12	8	2.3

Notes: Test Conditions: Ambient 32°C (90°F) / Max. subcooling 3°C (5°F) / Evaporator outlet and gas return 32°C (90°F).

ARMONIA R-404A/R-507 - LBP

MODEL	B.O.M.	VOLTAGE	PHASES	HP	AMBIENT °C	-40 W	-35 W	-30 W	-25 W	-20 W	-15 W	-10 W	SOUND dB(A) at 10 m	SIZE (L x W x H) mm	INLET TUBE DIAMETER mm	TUBE DIAMETER mm	RECEIVER L
UHNT2178GK	502EAH204AA	A	1	1 1/6	32	437	586	753	947	1165	1410	1693	30.7	1000 x 428 x 728	8	6	2.3
UHT2178GK	636QAH204AA	A	1	1 1/6	32	437	586	753	947	1165	1410	1693	30.7	1000 x 428 x 728	8	6	2.3
UHNT2180GK	503HAH204AA	A	1	1 1/4	32	450	610	790	1000	1240	1508	1873	30.7	1000 x 428 x 728	8	6	2.3
UHT2180GK	636XAH204AA	A	1	1 1/4	32	450	610	790	1000	1240	1508	1873	30.7	1000 x 428 x 728	8	6	2.3
UHNT2192GK	503EAH204AA	A	1	1 1/2	32	480	648	867	1152	1455	1788	2151	30.7	1000 x 428 x 728	12	8	2.3
UHNJ2192GK	644AAH204AA	A	1	1 1/2	32	480	648	867	1152	1455	1788	2151	30.7	1000 x 428 x 728	12	8	2.3
UHNJ2192GS	648AMH203AA	M	3	1 1/2	32	480	648	867	1152	1455	1788	2151	30.7	1000 x 428 x 728	12	8	2.3
UHNJ2212GK	643TAH204AA	A	1	1 3/4	32	652	939	1232	1593	1935	2329	2761	32.0	1000 x 428 x 728	12	8	2.3
UHNJ2212GS	647AMH203AA	M	3	1 3/4	32	652	939	1232	1593	1935	2329	2761	32.0	1000 x 428 x 728	12	8	2.3

Notes: Test Conditions: Ambient 32°C (90°F) / Max. subcooling 3°C (5°F) / Evaporator outlet and gas return 32°C (90°F).

ARMONIA R-22 - M/HBP

MODEL	B.O.M.	VOLTAGE	PHASES	HP	AMBIENT °C	-15 W	-10 W	-5 W	0 W	5 W	10 W	SOUND dB(A) at 10 m	SIZE (L x W x H) mm	INLET TUBE DIAMETER mm	TUBE DIAMETER mm	RECEIVER L
UHNJ9226E	644IVH204AA	V	1	1-	32	1580	1899	2202	2555	2900	3356	31.9	1000 x 428 x 728	10	8	2.3
UHNJ9226P	648MMH203AA	M	3	1-	32	1580	1899	2202	2555	2900	3356	31.9	1000 x 428 x 728	10	8	2.3
UHNJ9232E	643MVH204AA	V	1	1 1/4	32	1896	2280	2643	3066	3480	4036	34.0	1000 x 428 x 728	12	8	2.3
UHNJ9232P	647HMH203AA	M	3	1 1/4	32	1896	2280	2643	3066	3480	4036	34.0	1000 x 428 x 728	12	8	2.3
UHNJ9238E	643GVH204AA	V	1	1 1/2	32	2190	2565	3028	3378	4216	4940	35.0	1000 x 428 x 728	12	8	2.3
UHNJ9238P	647GMH203AA	M	3	1 1/2	32	2190	2565	3028	3378	4216	4940	35.0	1000 x 428 x 728	12	8	2.3

Notes: Test Conditions: Ambient 32°C (90°F) / Max. subcooling 3°C (5°F) / Evaporator outlet and gas return 32°C (90°F).

ARMONIA R-404A/R-507 - M/HBP

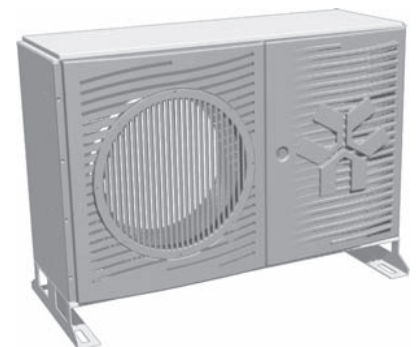
MODEL	B.O.M.	VOLTAGE	PHASES	HP	AMBIENT °C	-20 W	-15 W	-10 W	-5 W	0 W	5 W	10 W	SOUND dB(A) at 10 m	SIZE (L x W x H) mm	INLET TUBE DIAMETER mm	TUBE DIAMETER mm	RECEIVER L
UHNT6226GK	603BAH204AA	A	1	1-	32	1297	1549	1862	2159	2505	2843	3290	31.9	1000 x 428 x 728	10	8	2.3
UHNJ9226GK	644LVH204AA	V	1	1-	32	1297	1549	1862	2159	2505	2843	3290	31.9	1000 x 428 x 728	10	8	2.3
UHNJ9226GS	648LMH203AA	M	3	1-	32	1297	1549	1862	2159	2505	2843	3290	31.9	1000 x 428 x 728	10	8	2.3
UHNJ9232GK	643NAH204AA	A	1	1 1/4	32	1557	1859	2235	2591	3006	3412	3957	34.0	1000 x 428 x 728	12	8	2.3
UHNJ9232GS	647NMH203AA	M	3	1 1/4	32	1557	1859	2235	2591	3006	3412	3957	34.0	1000 x 428 x 728	12	8	2.3
UHNJ9238GK	643RVH204AA	V	1	1 1/2	32	1865	2147	2515	2969	3508	4133	4843	35.0	1000 x 428 x 728	12	8	2.3
UHNJ9238GS	647RMH203AA	M	3	1 1/2	32	1865	2147	2515	2969	3508	4133	4843	35.0	1000 x 428 x 728	12	8	2.3

Notes: Test Conditions: Ambient 32°C (90°F) / Max. subcooling 3°C (5°F) / Evaporator outlet and gas return 32°C (90°F).

Ambient: up to 43°C

Unit Includes: In/out shut-off valves
HP/LP pressostat
Sight glass
Drier
Crankcase heater
Contactor with terminal board inside Electrical box IP54
*Fan speed controller

Available Accessories: Oil separator
Suction accumulator



ARMONIA GEMINI R-404A/R-507 - LBP

MODEL	B.O.M.	VOLTAGE	PHASES	HP	AMBIENT °C	-40 W	-35 W	-30 W	-25 W	-20 W	-15 W	-10 W	SOUND dB(A) at 10 m	SIZE (L x W x H) mm	INLET TUBE DIAMETER mm	TUBE DIAMETER mm	RECEIVER L
UGHNJ2212GK	643TAH104AA	A	1	3 1/4	32	1094	1684	2250	2872	3383	3907	4420	41	1205 x 532 x 735	5/8	3/8	3.9
UGHNJ2212GS	647AMH103AA	M	3	3 1/4	32	1094	1684	2250	2872	3383	3907	4420	41	1205 x 532 x 735	5/8	3/8	3.9

Notes: Test Conditions: Ambient 32°C (90°F) / Max. subcooling 3°C (5°F) / Evaporator outlet and gas return 32°C (90°F).

ARMONIA GEMINI R-22 - M/HBP

MODEL	B.O.M.	VOLTAGE	PHASES	HP	AMBIENT °C	-15 W	-10 W	-5 W	0 W	5 W	10 W	SOUND dB(A) at 10 m	SIZE (L x W x H) mm	INLET TUBE DIAMETER mm	TUBE DIAMETER mm	RECEIVER L
UGHNJ9226E	644IVH104AA	V	1	2	32	2834	3468	3970	4468	4865	5373	44	1205 x 532 x 735	5/8	3/8	3.9
UGHNJ9226P	648MMH103AA	M	3	2	32	2834	3468	3970	4468	4865	5373	44	1205 x 532 x 735	5/8	3/8	3.9
UGHNJ9232E	643MVH104AA	V	1	2 1/2	32	3401	4164	4765	5361	5838	6461	45	1205 x 532 x 735	5/8	3/8	3.9
UGHNJ9232P	647HMH103AA	M	3	2 1/2	32	3401	4164	4765	5361	5838	6461	45	1205 x 532 x 735	5/8	3/8	3.9
UGHNJ9238E	643GVH104AA	V	1	3	32	3928	4684	5459	5907	7073	7908	45	1205 x 532 x 735	5/8	3/8	3.9
UGHNJ9238P	647GMH103AA	M	3	3	32	3928	4684	5459	5907	7073	7908	45	1205 x 532 x 735	5/8	3/8	3.9

Notes: Test Conditions: Ambient 32°C (90°F) / Max. subcooling 3°C (5°F) / Evaporator outlet and gas return 32°C (90°F).

ARMONIA GEMINI R-404A/R-507 - M/HBP

MODEL	B.O.M.	VOLTAGE	PHASES	HP	AMBIENT °C	-20 W	-15 W	-10 W	-5 W	0 W	5 W	10 W	SOUND dB(A) at 10 m	SIZE (L x W x H) mm	INLET TUBE DIAMETER mm	TUBE DIAMETER mm	RECEIVER L
UGHNJ9226GK	644LVH104AA	V	1	2	32	2176	2778	3400	3893	4380	4770	5267	44	1205 x 532 x 735	5/8	3/8	3.9
UGHNJ9226GS	648LMH103AA	M	3	2	32	2176	2778	3400	3893	4380	4770	5267	44	1205 x 532 x 735	5/8	3/8	3.9
UGHNJ9232GK	643NAH104AA	A	1	2 1/2	32	2612	3334	4082	4671	5256	5724	6335	45	1205 x 532 x 735	5/8	3/8	3.9
UGHNJ9232GS	647NMH103AA	M	3	2 1/2	32	2612	3334	4082	4671	5256	5724	6335	45	1205 x 532 x 735	5/8	3/8	3.9
UGHNJ9238GK	643RVH104AA	V	1	3	32	3129	3851	4593	5353	6134	6934	7753	45	1205 x 532 x 735	5/8	3/8	3.9
UGHNJ9238GS	647RMH103AA	M	3	3	32	3129	3851	4593	5353	6134	6934	7753	45	1205 x 532 x 735	5/8	3/8	3.9

Notes: Test Conditions: Ambient 32°C (90°F) / Max. subcooling 3°C (5°F) / Evaporator outlet and gas return 32°C (90°F).

Ambient: up to 43°C

Unit Includes: In/out shut-off valves
HP/LP pressostat
Sight glass
Drier
Crankcase heater
Contactor with terminal board inside Electrical box IP54
Fan speed controller

Available Accessories: Oil separator
Suction accumulator
Delay timer on start up



GENERAL INFORMATION

Motor Type

TYPE	DESCRIPTION
RSIR	Resistive Start Inductive Run
RSCR	Resistive Start Capacitive Run
CSIR	Capacitive Start Inductive Run
CSR	Capacitive Start and Run
PSC	Permanent Split Capacitor
3 Ph	Three Phase

Expansion Device

TYPE	DESCRIPTION
C	Capillary
V	Expansion Valve

Electrical Version

TYPE	DESCRIPTION
A	220-240V 50Hz
C	220V 50Hz
D	208-230V 60Hz
G	115V 60Hz (100V 50Hz)
M	380-420V 50Hz (440-480V 60Hz)
N	200-240V 50Hz (230V 60Hz)
T	220-230V 50Hz
V	230V 50Hz

AVAILABLE ACCESSORIES

R-134a - LBP

MODEL	FILTER DRIER (1) TYPE	FILTER DRIER (2) TYPE	SIGHT GLASS TYPE	PRESSURE CONTROL TYPE	SOLENOID VALVE TYPE	OIL SEPARATOR TYPE	SUCTION ACCUMULATOR TYPE	FAN SPEED CONTROLLER TYPE	SCHRADER VALVE CODE	HOUSING CODE
UNB1116Z	SM2/30	-	-	-	-	-	-	-	1.022.024	1.957.003
UNB2116Z	SM2/30	ADK-036MMS	MIAM06	ALCO PS2 A7A	110 RB 2	-	A08-304	-	1.022.024	1.957.003
UNB1118Z	SM2/30	-	-	-	-	-	-	-	1.022.024	1.957.003
UNE2121Z	SM2/30	ADK-036MMS	MIAM06	ALCO PS2 A7A	110 RB 2	-	A08-304	-	1.022.024	1.957.003
UNE2130Z	SM2/30	ADK-036MMS	MIAM06	ALCO PS2 A7A	110 RB 2	-	A08-304	-	1.022.024	1.957.003
UT2140Z	SM2/30	ADK-036MMS	MIAM06	ALCO PS2 A7A	110 RB 2	Temprite 900	A08-304	FSX-42U	1.022.024	1.957.003

R-404A / R-507 - LBP

MODEL	FILTER DRIER (1) TYPE	FILTER DRIER (2) TYPE	SIGHT GLASS TYPE	PRESSURE CONTROL TYPE	SOLENOID VALVE TYPE	OIL SEPARATOR TYPE	SUCTION ACCUMULATOR TYPE	FAN SPEED CONTROLLER TYPE	SCHRADER VALVE CODE	HOUSING CODE
UNE2125GK	SM2/30	ADK-036MMS	MIAM06	ALCO PS2 A7A	110 RB 2	-	A08-304	-	1.022.024	1.957.003
UNE2134GK	SM2/30	ADK-036MMS	MIAM06	ALCO PS2 A7A	110 RB 2	-	A08-304	-	1.022.024	1.957.003
UNEK2125GK	SM2/30	ADK-036MMS	MIAM06	ALCO PS2 A7A	110 RB 2	-	A08-304	-	1.022.024	1.957.003
UNEK2134GK	SM2/30	ADK-036MMS	MIAM06	ALCO PS2 A7A	110 RB 2	-	A08-304	-	1.022.024	1.957.003
UNEK2150GK	SM2/30	ADK-036MMS	MIAM06	ALCO PS2 A7A	110 RB 2	-	A08-304	-	1.022.024	1.957.003
UNEK2168GK	SM2/30	ADK-036MMS	MIAM06	ALCO PS2 A7A	110 RB 2	Temprite 900	A08-304	FSX-42U	1.022.024	1.957.003
UT2155GK	SM2/30	ADK-036MMS	MIAM06	ALCO PS2 A7A	110 RB 2	Temprite 900	A08-304	FSX-42U	1.022.024	1.957.003
UT2168GK	SM2/30	ADK-036MMS	MIAM06	ALCO PS2 A7A	110 RB 2	Temprite 900	A08-304	FSX-42U	1.022.024	1.957.003
UT2178GK	SM2/30	ADK-036MMS	MIAM06	ALCO PS2 A7A	110 RB 2	Temprite 900	A08-304	FSX-42U	1.022.024	1.957.003
UT2180GK	SM2/30	ADK-036MMS	MIAM06	ALCO PS2 A7A	110 RB 2	Temprite 900	A08-304	FSX-42U	1.022.024	1.957.003
UNT2178GK	SM2/30	ADK-0510MMS	MIAM10	ALCO PS2 A7A	200 RB 3	Temprite 900	A08-304	FSX-42U	1.022.024	1.957.004
UNT2180GK	SM2/30	ADK-0510MMS	MIAM10	ALCO PS2 A7A	200 RB 3	Temprite 900	A08-304	FSX-42U	1.022.024	1.957.004
UNT2192GK	SM2/30	ADK-0510MMS	MIAM10	ALCO PS2 A7A	200 RB 3	Temprite 900	A08-304	FSX-42U	1.022.024	1.957.004
UNT2212GK	SM2/30	ADK-0510MMS	MIAM10	ALCO PS2 A7A	200 RB 3	Temprite 900	A08-304	FSX-42U	1.022.024	1.957.004
UNJ2192GK	SM2/30	ADK-0510MMS	MIAM10	ALCO PS2 A7A	200 RB 3	Temprite 900	A08-304	FSX-42U	1.022.024	1.957.004
UNJ2192G5	SM2/30	ADK-0510MMS	MIAM10	ALCO PS2 A7A	200 RB 3	Temprite 900	A08-304	FSX-42U	1.022.024	1.957.004
UNJ2212GK	SM2/30	ADK-0510MMS	MIAM10	ALCO PS2 A7A	200 RB 3	Temprite 900	A08-304	FSX-42U	1.022.024	1.957.004
UNJ2212G5	SM2/30	ADK-0510MMS	MIAM10	ALCO PS2 A7A	200 RB 3	Temprite 900	A08-304	FSX-42U	1.022.024	1.957.004

R-22 - LBP

MODEL	FILTER DRIER (1) TYPE	FILTER DRIER (2) TYPE	SIGHT GLASS TYPE	PRESSURE CONTROL TYPE	SOLENOID VALVE TYPE	OIL SEPARATOR TYPE	SUCTION ACCUMULATOR TYPE	FAN SPEED CONTROLLER TYPE	SCHRADER VALVE CODE	HOUSING CODE
UNE2125E	SM2/30	ADK-036MMS	MIAM06	ALCO PS2 A7A	110 RB 2	-	A08-304	-	1.022.024	1.957.003
UNE2134E	SM2/30	ADK-036MMS	MIAM06	ALCO PS2 A7A	110 RB 2	-	A08-304	-	1.022.024	1.957.003
UT2140E	SM2/30	ADK-036MMS	MIAM06	ALCO PS2 A7A	110 RB 2	Temprite 900	A08-304	FSX-42U	1.022.024	1.957.003
UT2155E	SM2/30	ADK-036MMS	MIAM06	ALCO PS2 A7A	110 RB 2	Temprite 900	A08-304	FSX-42U	1.022.024	1.957.003
UT2168E	SM2/30	ADK-036MMS	MIAM06	ALCO PS2 A7A	110 RB 2	Temprite 900	A08-304	FSX-42U	1.022.024	1.957.003
UNJ2178E	SM2/30	ADK-0510MMS	MIAM10	ALCO PS2 A7A	200 RB 3	Temprite 900	A08-304	FSX-42U	1.022.024	1.957.004
UNJ2190E	SM2/30	ADK-0510MMS	MIAM10	ALCO PS2 A7A	200 RB 3	Temprite 900	A08-304	FSX-42U	1.022.024	1.957.004

R-134a - HBP

MODEL	FILTER DRIER (1) TYPE	FILTER DRIER (2) TYPE	SIGHT GLASS TYPE	PRESSURE CONTROL TYPE	SOLENOID VALVE TYPE	SUCTION ACCUMULATOR TYPE	FAN SPEED CONTROLLER TYPE	SCHRADER VALVE CODE	HOUSING CODE
UNB5132Z	SM2/30	-	-	-	-	-	-	1.022.024	1.957.003
UNB5144Z	SM2/30	-	-	-	-	-	-	1.022.024	1.957.003
UNB6144Z	SM2/30	ADK-036MMS	MIAM06	ALCO PS2 A7A	110 RB 2	A08-304	FSX-42U	1.022.024	1.957.003
UNE6160Z	SM2/30	ADK-036MMS	MIAM06	ALCO PS2 A7A	110 RB 2	A08-304	FSX-42U	1.022.024	1.957.003
UNE5170Z	SM2/30	-	-	-	-	-	-	1.022.024	1.957.003
UNE6170Z	SM2/30	ADK-036MMS	MIAM06	ALCO PS2 A7A	110 RB 2	A08-304	FSX-42U	1.022.024	1.957.003
UNE6187Z	SM2/30	ADK-036MMS	MIAM06	ALCO PS2 A7A	110 RB 2	A08-304	FSX-42U	1.022.024	1.957.003
UNE6210Z	SM2/30	ADK-036MMS	MIAM06	ALCO PS2 A7A	110 RB 2	A08-304	FSX-42U	1.022.024	1.957.003
UNEK6160Z	SM2/30	ADK-036MMS	MIAM06	ALCO PS2 A7A	110 RB 2	A08-304	FSX-42U	1.022.024	1.957.003
UNEK6170Z	SM2/30	ADK-036MMS	MIAM06	ALCO PS2 A7A	110 RB 2	A08-304	FSX-42U	1.022.024	1.957.003
UNEK6187Z	SM2/30	ADK-036MMS	MIAM06	ALCO PS2 A7A	110 RB 2	A08-304	FSX-42U	1.022.024	1.957.003
UNEK6210Z	SM2/30	ADK-036MMS	MIAM06	ALCO PS2 A7A	110 RB 2	A08-304	FSX-42U	1.022.024	1.957.003
UNEK6212Z	SM2/30	ADK-036MMS	MIAM06	ALCO PS2 A7A	110 RB 2	A08-304	FSX-42U	1.022.024	1.957.003
UNEK6214Z	SM2/30	ADK-0510MMS	MIAM10	ALCO PS2 A7A	200 RB 3	A08-304	FSX-42U	1.022.024	1.957.003
UT6213Z	SM2/30	ADK-0510MMS	MIAM10	ALCO PS2 A7A	200 RB 3	A08-304	FSX-42U	1.022.024	1.957.003
UT6215Z	SM2/30	ADK-0510MMS	MIAM10	ALCO PS2 A7A	200 RB 3	A08-304	FSX-42U	1.022.024	1.957.003
UT6217Z	SM2/30	ADK-0510MMS	MIAM10	ALCO PS2 A7A	200 RB 3	A08-304	FSX-42U	1.022.024	1.957.004
UNT6215Z	SM2/30	ADK-0510MMS	MIAM10	ALCO PS2 A7A	200 RB 3	A08-304	FSX-42U	1.022.024	1.957.004
UNT6217Z	SM2/30	ADK-0510MMS	MIAM10	ALCO PS2 A7A	200 RB 3	A08-304	FSX-42U	1.022.024	1.957.004
UNT6220Z	SM2/30	ADK-0510MMS	MIAM10	ALCO PS2 A7A	200 RB 3	A08-304	FSX-42U	1.022.024	1.957.004
UNJ6220Z	SM2/30	ADK-0510MMS	MIAM10	ALCO PS2 A7A	200 RB 3	A08-304	FSX-42U	1.022.024	1.957.004
UNJ6220ZX	SM2/30	ADK-0510MMS	MIAM10	ALCO PS2 A7A	200 RB 3	A08-304	FSX-42U	1.022.024	1.957.004
UNJ6226Z	SM2/30	ADK-0510MMS	MIAM10	ALCO PS2 A7A	200 RB 3	A08-304	FSX-42U	1.022.024	1.957.004
UNJ6226ZX	SM2/30	ADK-0510MMS	MIAM10	ALCO PS2 A7A	200 RB 3	A08-304	FSX-42U	1.022.024	1.957.004

AVAILABLE ACCESSORIES

R-22 - M/HBP

MODEL	FILTER DRIER (1) TYPE	FILTER DRIER (2) TYPE	SIGHT GLASS TYPE	PRESSURE CONTROL TYPE	SOLENOID VALVE TYPE	SUCTION ACCUMULATOR TYPE	FAN SPEED CONTROLLER TYPE	SCHRADER VALVE CODE	HOUSING CODE
UNB6144E	SM2/30	ADK-036MMS	MIAM06	ALCO PS2 A7A	110 RB 2	A08-304	FSX-42U	1.022.024	1.957.003
UNB6152E	SM2/30	ADK-036MMS	MIAM06	ALCO PS2 A7A	110 RB 2	A08-304	FSX-42U	1.022.024	1.957.003
UNB6165E	SM2/30	ADK-036MMS	MIAM06	ALCO PS2 A7A	110 RB 2	A08-304	FSX-42U	1.022.024	1.957.003
UNE6181E	SM2/30	ADK-036MMS	MIAM06	ALCO PS2 A7A	110 RB 2	A08-304	FSX-42U	1.022.024	1.957.003
UNE6195E	SM2/30	ADK-036MMS	MIAM06	ALCO PS2 A7A	110 RB 2	A08-304	FSX-42U	1.022.024	1.957.003
UNE6210E	SM2/30	ADK-036MMS	MIAM06	ALCO PS2 A7A	110 RB 2	A08-304	FSX-42U	1.022.024	1.957.003
UNE6211E	SM2/30	ADK-036MMS	MIAM06	ALCO PS2 A7A	110 RB 2	A08-304	FSX-42U	1.022.024	1.957.003
UNE9213E	SM2/30	ADK-036MMS	MIAM06	ALCO PS2 A7A	110 RB 2	A08-304	FSX-42U	1.022.024	1.957.003
UT6217E	SM2/30	ADK-0510MMS	MIAM10	ALCO PS2 A7A	200 RB 3	A08-304	FSX-42U	1.022.024	1.957.004
UT6220E	SM2/30	ADK-0510MMS	MIAM10	ALCO PS2 A7A	200 RB 3	A08-304	FSX-42U	1.022.024	1.957.004
UT6222E	SM2/30	ADK-0510MMS	MIAM10	ALCO PS2 A7A	200 RB 3	A08-304	FSX-42U	1.022.024	1.957.004
UNJ7228F	SM2/30	ADK-0510MMS	MIAM10	ALCO PS2 A7A	200 RB 3	A08-304	FSX-42U	1.022.024	1.957.004
UNJ7231F	SM2/30	ADK-0510MMS	MIAM10	ALCO PS2 A7A	200 RB 3	A08-304	FSX-42U	1.022.024	1.957.004
UNJ7240F	SM2/30	ADK-0510MMS	MIAM10	ALCO PS2 A7A	200 RB 3	A08-304	FSX-42U	1.022.024	1.957.004
UNJ7240P	SM2/30	ADK-0510MMS	MIAM10	ALCO PS2 A7A	200 RB 3	A08-304	FSX-42U	1.022.024	1.957.004
UNJ9226E	SM2/30	ADK-0510MMS	MIAM10	ALCO PS2 A7A	200 RB 3	A08-304	FSX-42U	1.022.024	1.957.004
UNJ9232E	SM2/30	ADK-0510MMS	MIAM10	ALCO PS2 A7A	200 RB 3	A08-304	FSX-42U	1.022.024	1.957.004
UNJ9232P	SM2/30	ADK-0510MMS	MIAM10	ALCO PS2 A7A	200 RB 3	A08-304	FSX-42U	1.022.024	1.957.004
UNJ9238E	SM2/30	ADK-0510MMS	MIAM10	ALCO PS2 A7A	200 RB 3	A08-304	FSX-42U	1.022.024	1.957.004
UNJ9238P	SM2/30	ADK-0510MMS	MIAM10	ALCO PS2 A7A	200 RB 3	A08-304	FSX-42U	1.022.024	1.957.004

R-404A / R-507 - MBP

MODEL	FILTER DRIER (1) TYPE	FILTER DRIER (2) TYPE	SIGHT GLASS TYPE	PRESSURE CONTROL TYPE	SOLENOID VALVE TYPE	SUCTION ACCUMULATOR TYPE	FAN SPEED CONTROLLER TYPE	SCHRADER VALVE CODE	HOUSING CODE
UNB6144GK	SM2/30	ADK-036MMS	MIAM06	ALCO PS2 A7A	110 RB 2	A08-304	FSX-42U	1.022.024	1.957.003
UNB6152GK	SM2/30	ADK-036MMS	MIAM06	ALCO PS2 A7A	110 RB 2	A08-304	FSX-42U	1.022.024	1.957.003
UNB6165GK	SM2/30	ADK-036MMS	MIAM06	ALCO PS2 A7A	110 RB 2	A08-304	FSX-42U	1.022.024	1.957.003
UNE6181GK	SM2/30	ADK-036MMS	MIAM06	ALCO PS2 A7A	110 RB 2	A08-304	FSX-42U	1.022.024	1.957.003
UNE6210GK	SM2/30	ADK-036MMS	MIAM06	ALCO PS2 A7A	110 RB 2	A08-304	FSX-42U	1.022.024	1.957.003
UNE9213GK	SM2/30	ADK-036MMS	MIAM06	ALCO PS2 A7A	110 RB 2	A08-304	FSX-42U	1.022.024	1.957.003
UNEK6144GK	SM2/30	ADK-036MMS	MIAM06	ALCO PS2 A7A	110 RB 2	A08-304	FSX-42U	1.022.024	1.957.003
UNEK6165GK	SM2/30	ADK-036MMS	MIAM06	ALCO PS2 A7A	110 RB 2	A08-304	FSX-42U	1.022.024	1.957.003
UNEK6181GK	SM2/30	ADK-036MMS	MIAM06	ALCO PS2 A7A	110 RB 2	A08-304	FSX-42U	1.022.024	1.957.003
UNEK6210GK	SM2/30	ADK-036MMS	MIAM06	ALCO PS2 A7A	110 RB 2	A08-304	FSX-42U	1.022.024	1.957.003
UNEK6213GK	SM2/30	ADK-036MMS	MIAM06	ALCO PS2 A7A	110 RB 2	A08-304	FSX-42U	1.022.024	1.957.003
UNEK6217GK	SM2/30	ADK-0510MMS	MIAM10	ALCO PS2 A7A	200 RB 3	A08-304	FSX-42U	1.022.024	1.957.004
UT6217GK	SM2/30	ADK-0510MMS	MIAM10	ALCO PS2 A7A	200 RB 3	A08-304	FSX-42U	1.022.024	1.957.004
UT6220GK	SM2/30	ADK-0510MMS	MIAM10	ALCO PS2 A7A	200 RB 3	A08-304	FSX-42U	1.022.024	1.957.004
UT6222GK	SM2/30	ADK-0510MMS	MIAM10	ALCO PS2 A7A	200 RB 3	A08-304	FSX-42U	1.022.024	1.957.004
UNT6217GK	SM2/30	ADK-0510MMS	MIAM10	ALCO PS2 A7A	200 RB 3	A08-304	FSX-42U	1.022.024	1.957.004
UNT6220GK	SM2/30	ADK-0510MMS	MIAM10	ALCO PS2 A7A	200 RB 3	A08-304	FSX-42U	1.022.024	1.957.004
UNT6222GK	SM2/30	ADK-0510MMS	MIAM10	ALCO PS2 A7A	200 RB 3	A08-304	FSX-42U	1.022.024	1.957.004
UNT6226GK	SM2/30	ADK-0510MMS	MIAM10	ALCO PS2 A7A	200 RB 3	A08-304	FSX-42U	1.022.024	1.957.004
UNJ9226GK	SM2/30	ADK-0510MMS	MIAM10	ALCO PS2 A7A	200 RB 3	A08-304	FSX-42U	1.022.024	1.957.004
UNJ9226GS	SM2/30	ADK-0510MMS	MIAM10	ALCO PS2 A7A	200 RB 3	A08-304	FSX-42U	1.022.024	1.957.004
UNJ9232GK	SM2/30	ADK-0510MMS	MIAM10	ALCO PS2 A7A	200 RB 3	A08-304	FSX-42U	1.022.024	1.957.004
UNJ9232GS	SM2/30	ADK-0510MMS	MIAM10	ALCO PS2 A7A	200 RB 3	A08-304	FSX-42U	1.022.024	1.957.004
UNJ9238GK	SM2/30	ADK-0510MMS	MIAM10	ALCO PS2 A7A	200 RB 3	A08-304	FSX-42U	1.022.024	1.957.004
UNJ9238GS	SM2/30	ADK-0510MMS	MIAM10	ALCO PS2 A7A	200 RB 3	A08-304	FSX-42U	1.022.024	1.957.004

GEMINI

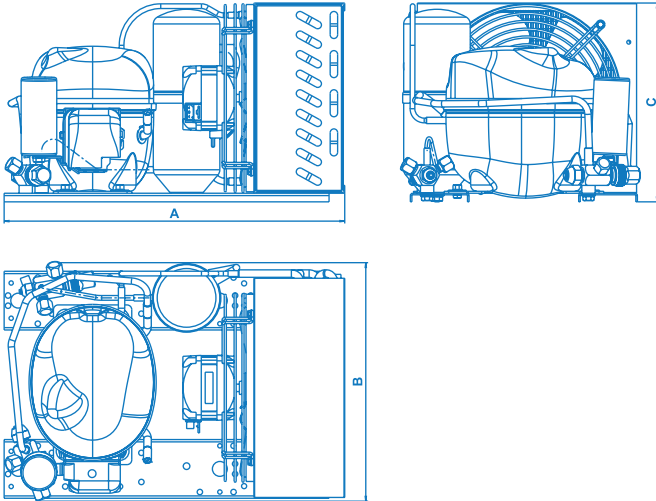
MODEL	FILTER DRIER (1) TYPE	FILTER DRIER (2) TYPE	SIGHT GLASS TYPE	PRESSURE CONTROL TYPE	SOLENOID VALVE TYPE	OIL SEPARATOR TYPE	SUCTION ACCUMULATOR TYPE	FAN SPEED CONTROLLER TYPE	SCHRADER VALVE CODE
UGT2155GK	SM2/30	ADK-0510MMS	MIAM10	ALCO PS2 A7A	110 RB 2	Temprite 900	A08-304	FSX-42U	1.022.024
UGT2178GK	SM2/30	ADK-0510MMS	MIAM10	ALCO PS2 A7A	110 RB 2	Temprite 900	A08-304	FSX-42U	1.022.024
UGT2180GK	SM2/30	ADK-0510MMS	MIAM10	ALCO PS2 A7A	110 RB 2	Temprite 900	A08-304	FSX-42U	1.022.024
UGNJ2192GK	SM2/30	ADK-0510MMS	MIAM10	ALCO PS2 A7A	200 RB 3	Temprite 900	A08-304	FSX-42U	1.022.024
UGNJ2192GS	SM2/30	ADK-0510MMS	MIAM10	ALCO PS2 A7A	200 RB 3	Temprite 900	A08-304	FSX-42U	1.022.024
UGNJ2212GK	SM2/30	ADK-0510MMS	MIAM10	ALCO PS2 A7A	200 RB 3	Temprite 900	A08-304	FSX-42U	1.022.024
UGNJ2212GS	SM2/30	ADK-0510MMS	MIAM10	ALCO PS2 A7A	200 RB 3	Temprite 900	A08-304	FSX-42U	1.022.024
UGNJ6220ZX	SM2/30	ADK-0510MMS	MIAM10	ALCO PS2 A7A	200 RB 3		A08-304	FSX-42U	1.022.024
UGNJ6226ZX	SM2/30	ADK-0510MMS	MIAM10	ALCO PS2 A7A	200 RB 3		A08-304	FSX-42U	1.022.024
UGNJ9226GK	SM2/30	ADK-0510MMS	MIAM10	ALCO PS2 A7A	200 RB 3		A08-304	FSX-42U	1.022.024
UGNJ9226GS	SM2/30	ADK-0510MMS	MIAM10	ALCO PS2 A7A	200 RB 3		A08-304	FSX-42U	1.022.024
UGNJ9232GK	SM2/30	ADK-0510MMS	MIAM10	ALCO PS2 A7A	200 RB 3		A08-304	FSX-42U	1.022.024
UGNJ9232GS	SM2/30	ADK-0510MMS	MIAM10	ALCO PS2 A7A	200 RB 3		A08-304	FSX-42U	1.022.024
UGNJ9238GK	SM2/30	ADK-0510MMS	MIAM10	ALCO PS2 A7A	200 RB 3		A08-304	FSX-42U	1.022.024
UGNJ9238GS	SM2/30	ADK-0510MMS	MIAM10	ALCO PS2 A7A	200 RB 3		A08-304	FSX-42U	1.022.024

Notes:

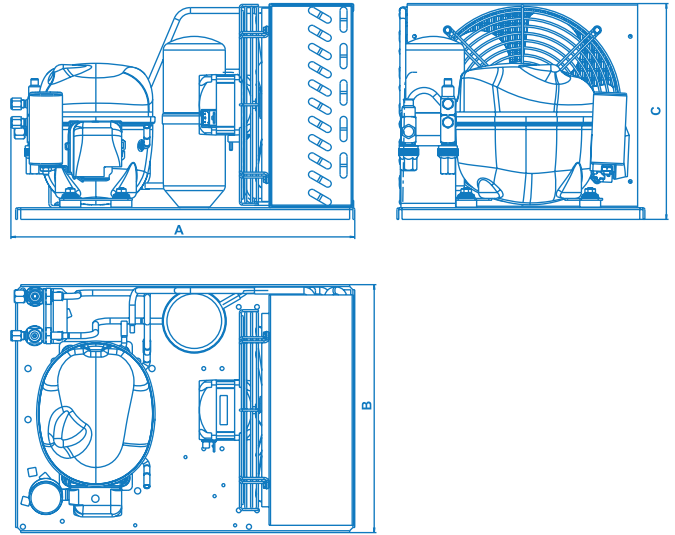
Accessories (drier, sight glass, pressure controls, suction accumulator, fan speed controller and solenoid valve) supplied by Alco.
Components from other suppliers are available upon request. Thermostat cable available upon request. AC Axial fan motor EBM upon request. Energy saving motor EBM on request.

EXTERNAL VIEWS - Standard Versions

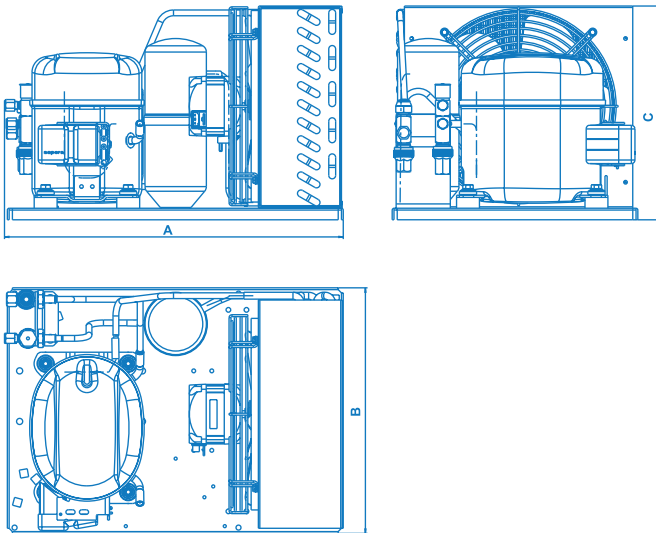
1955183



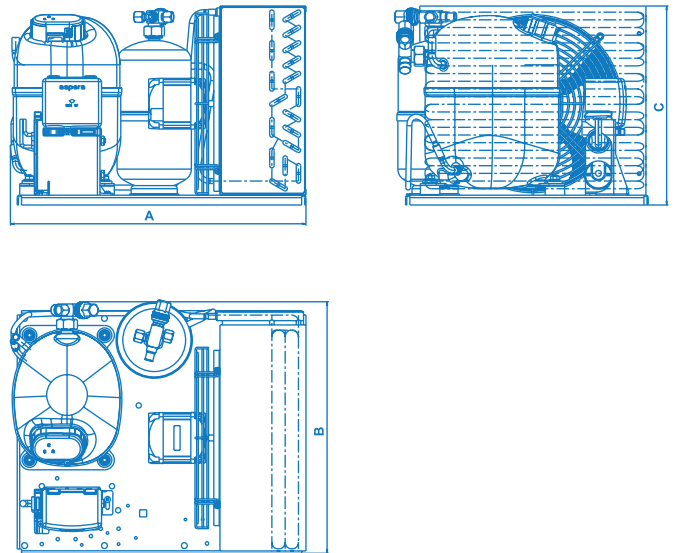
1955184



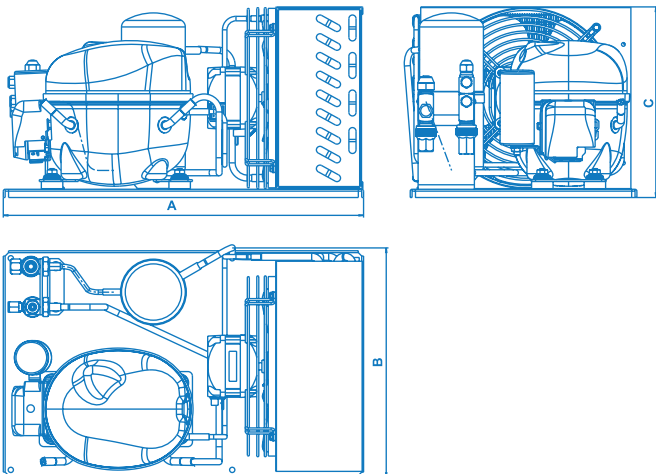
1955185



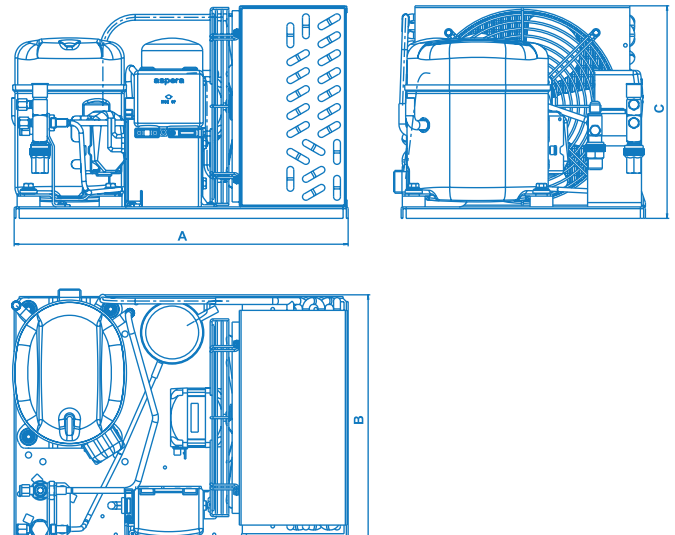
1955186



1955191

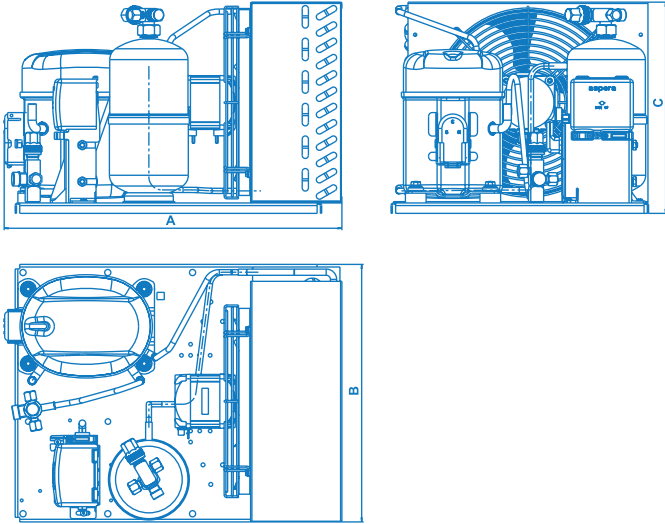


1955193

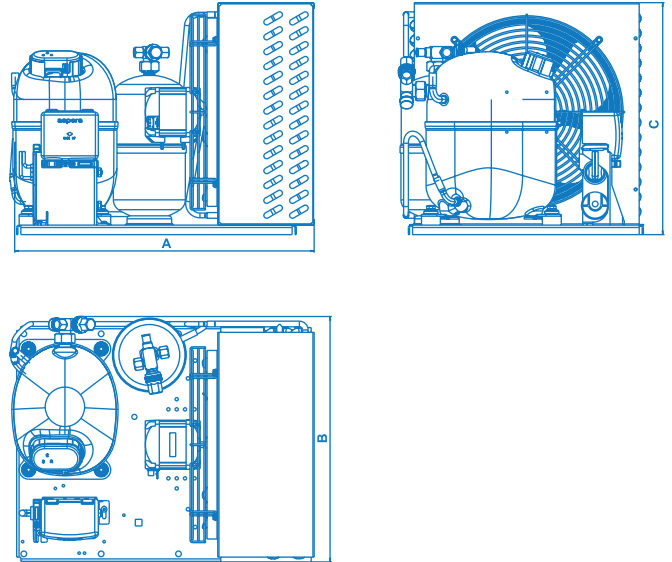


EXTERNAL VIEWS - Standard Versions

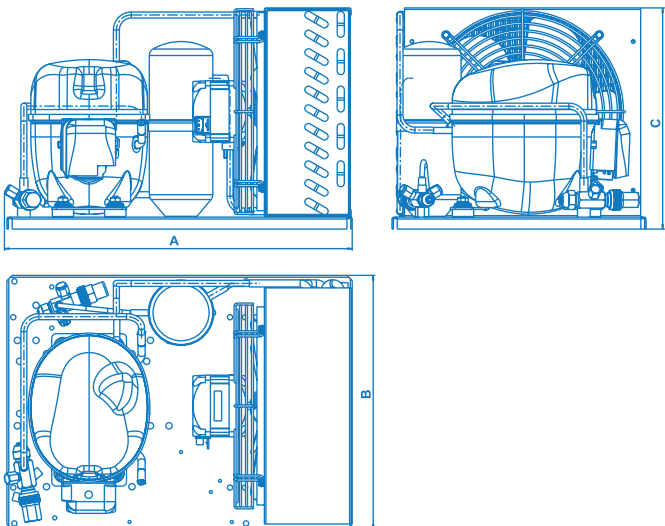
1955194



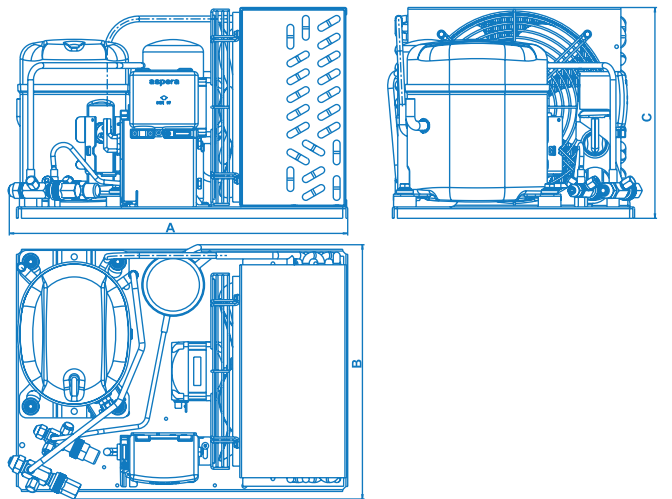
1955195



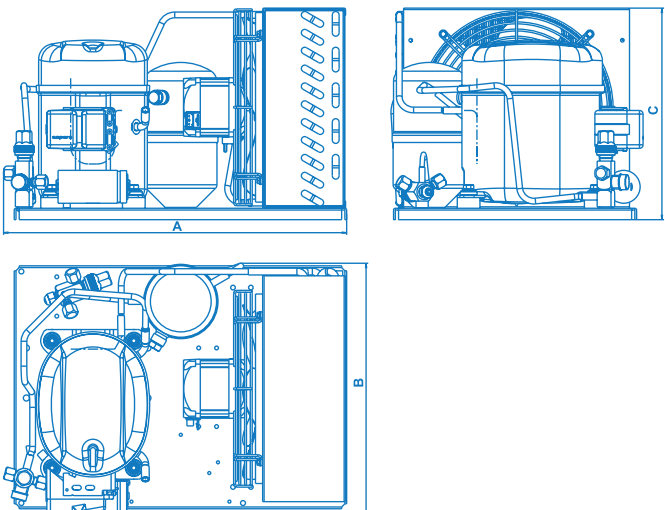
1955287



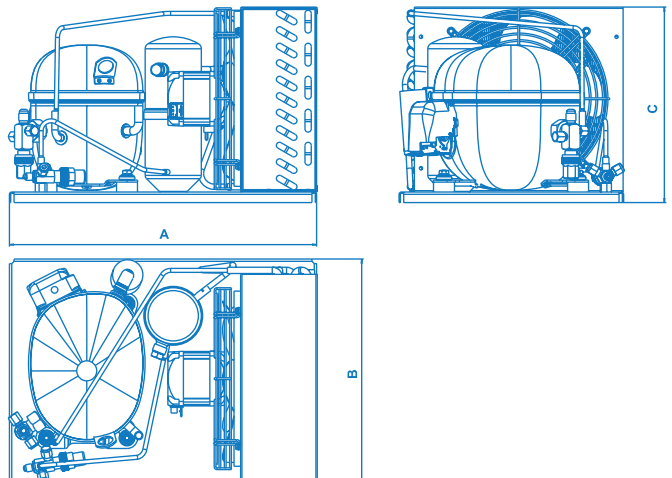
1955371



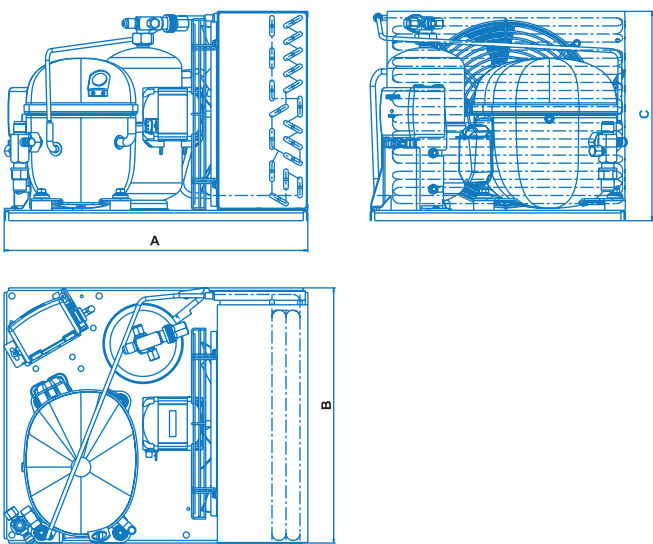
1955394



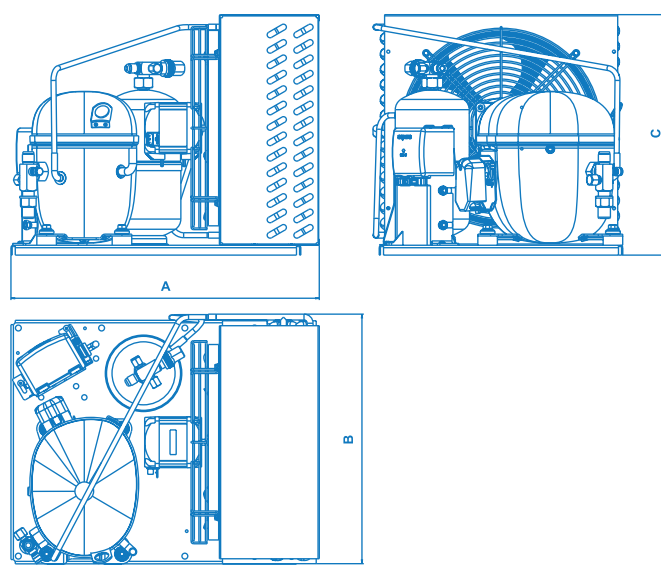
1955400



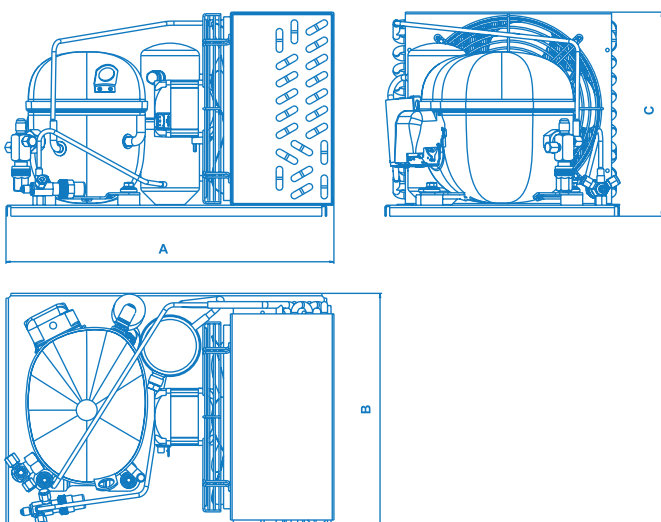
1955401



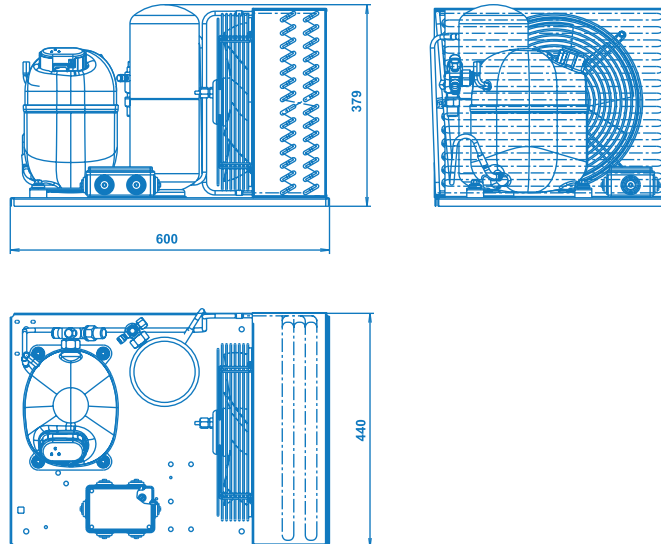
1955402



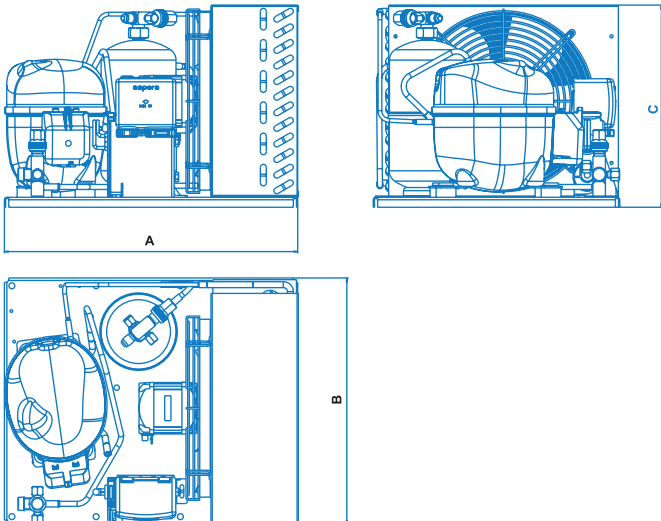
1955404



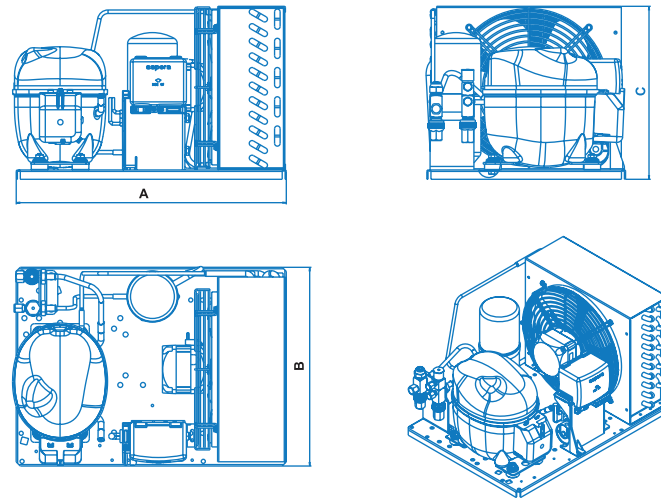
1955406



1955411

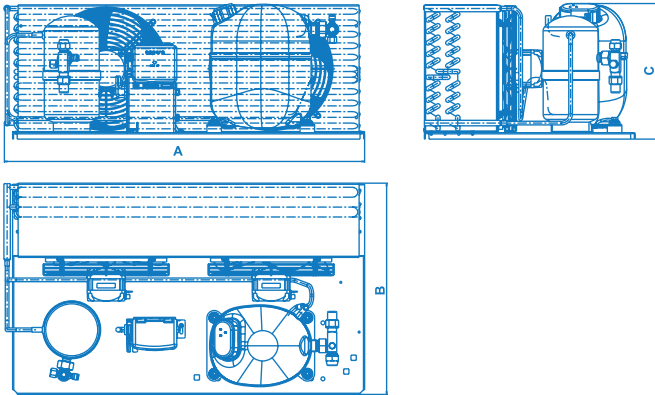


1955414

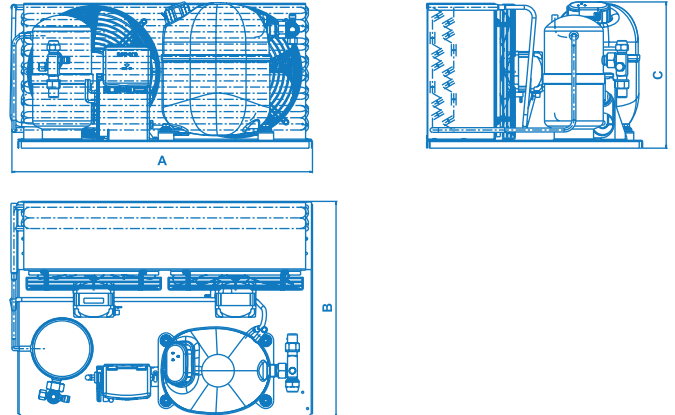


EXTERNAL VIEWS - Standard Versions

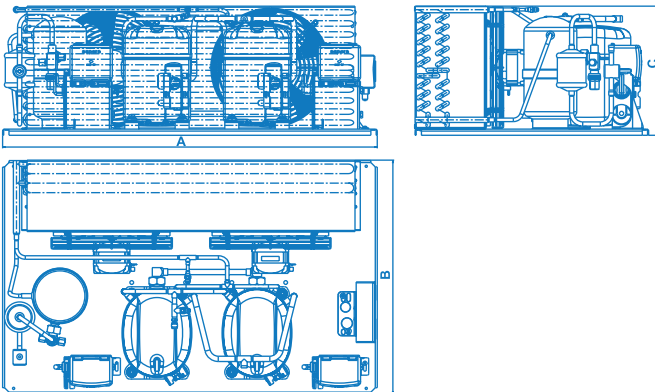
1955310



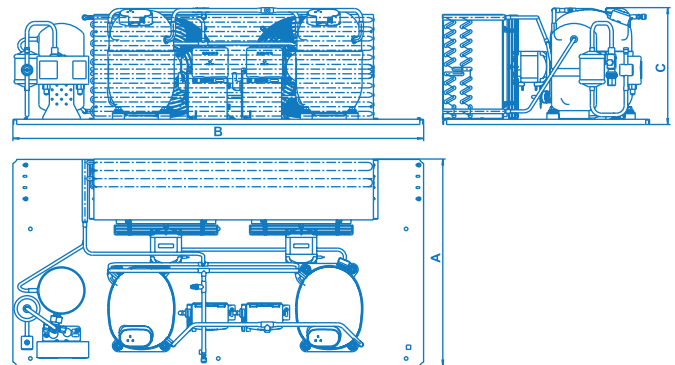
1955312



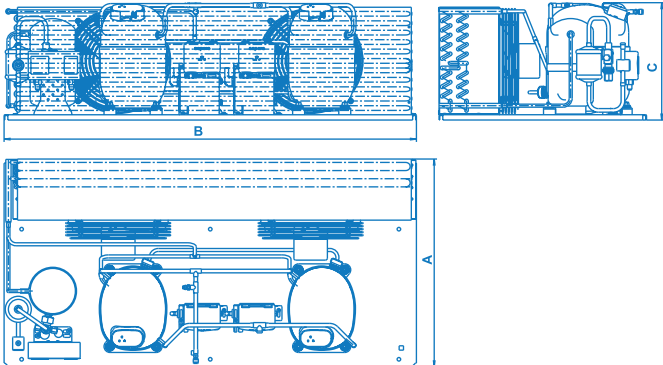
1955332



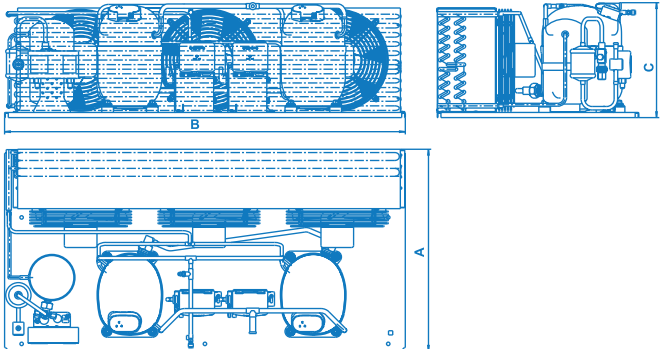
1955339



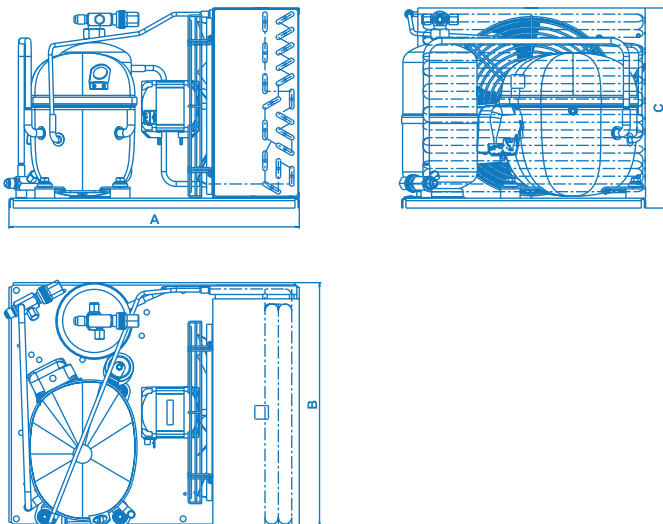
1955365



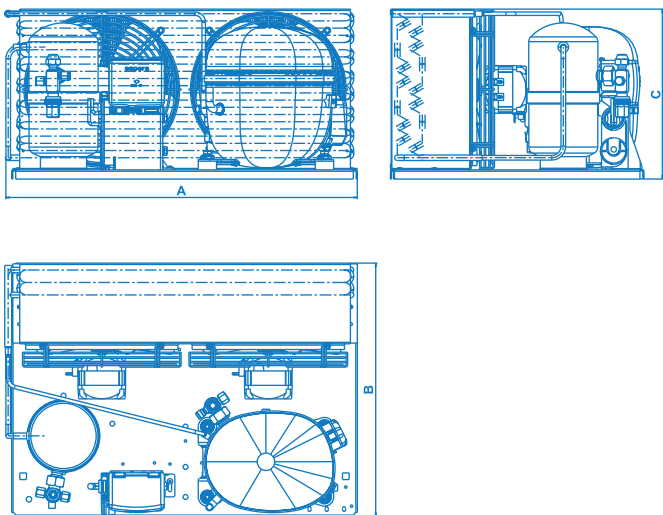
1955367



1955413

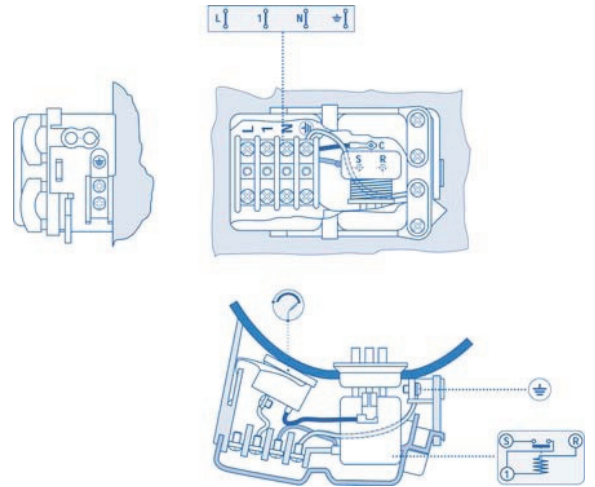
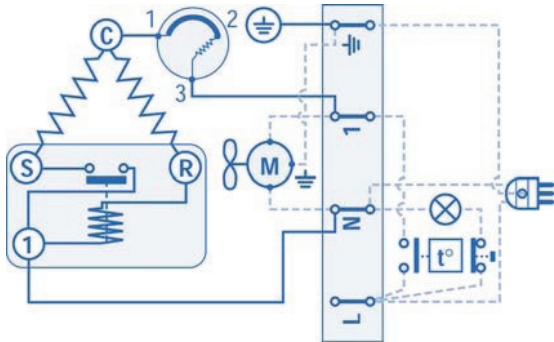


1955415

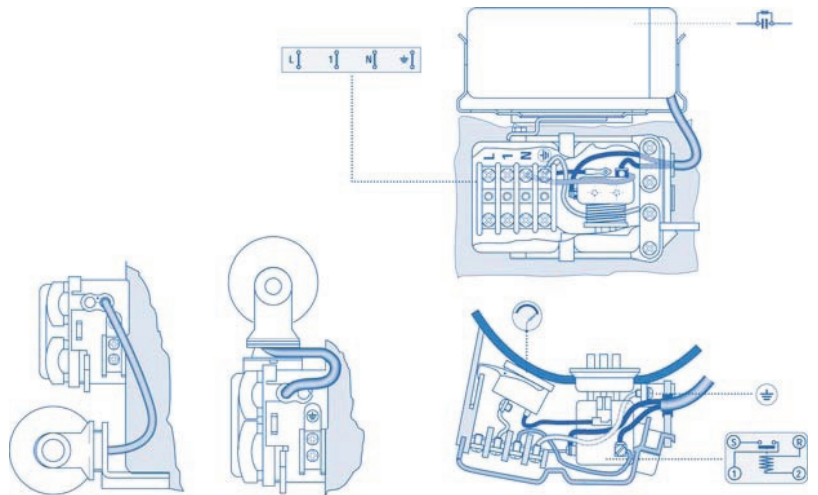
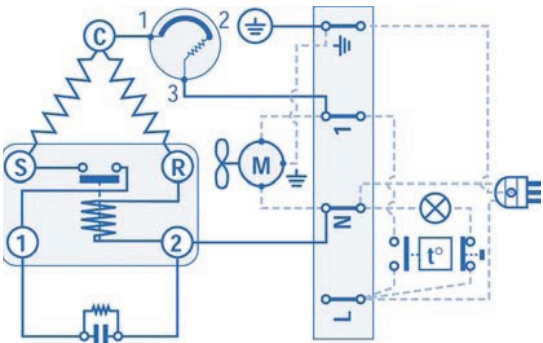


WIRING DIAGRAMS

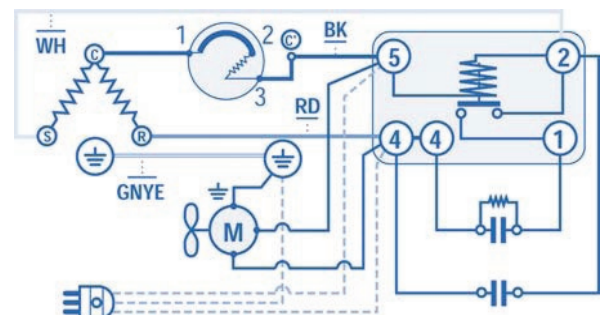
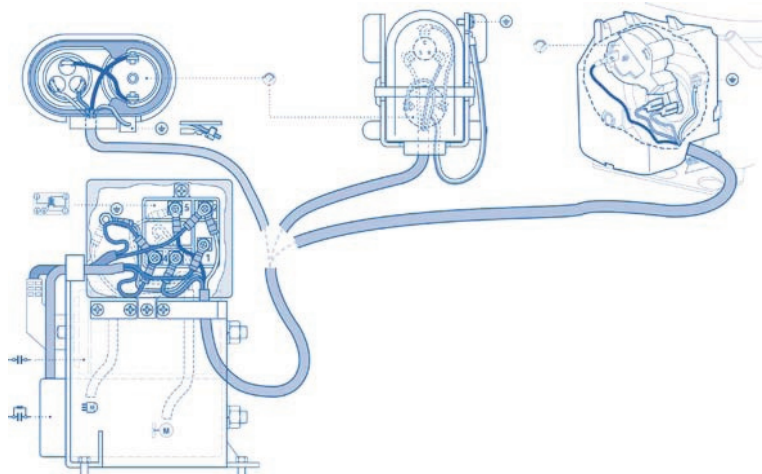
RSIR Electrical Hookup UT



CSIR Electrical Hookup UT

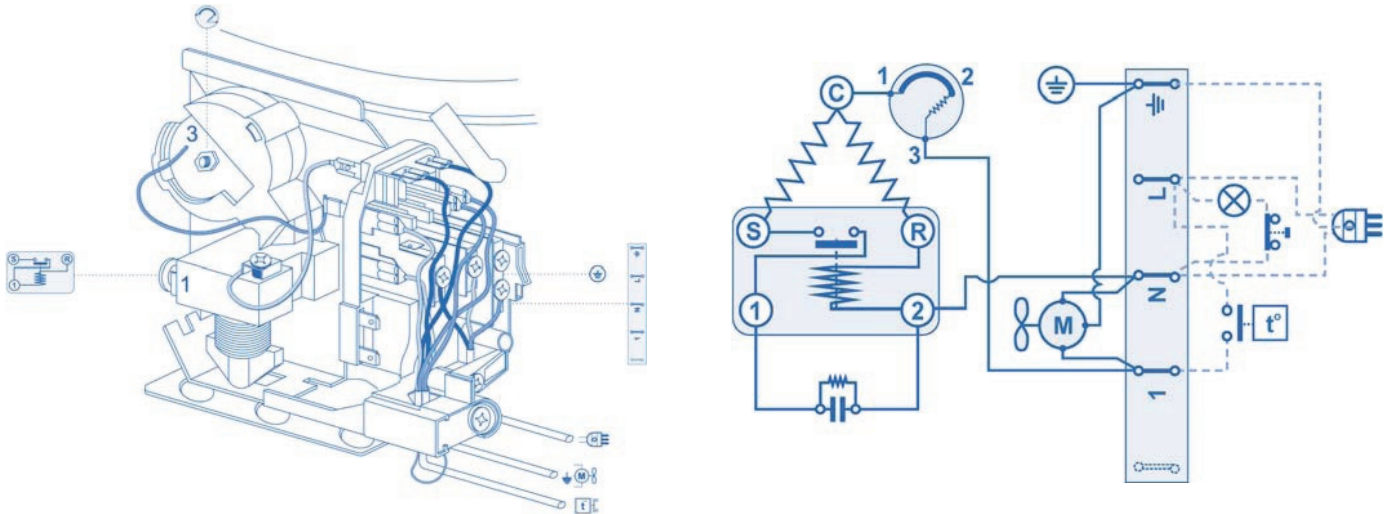


CSR Electrical Hookup UT - UNE - UNJ - UNT

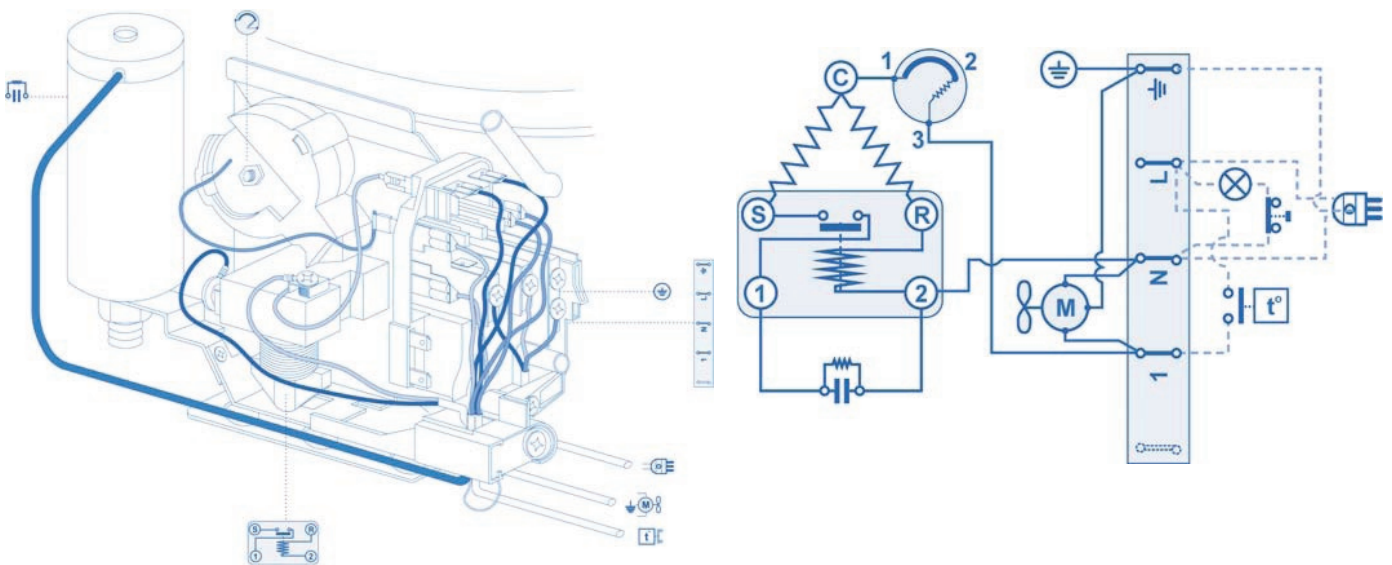


WIRING DIAGRAMS

RSIR Electrical Hookup UNE - UNB - UNEK



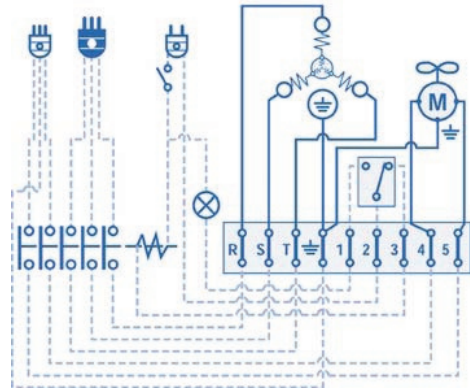
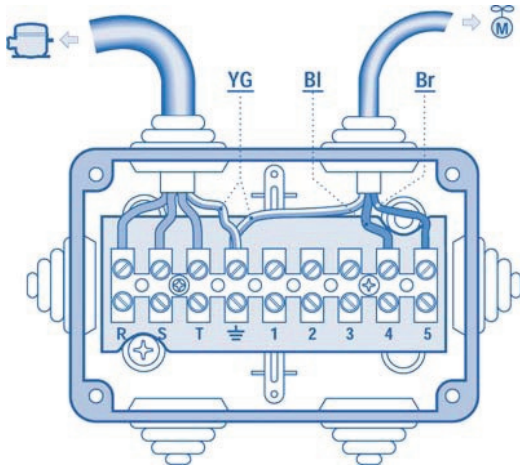
CSIR Electrical Hookup UNE - UNB - UNEK - UNT



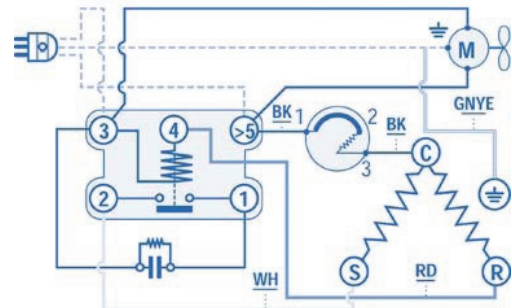
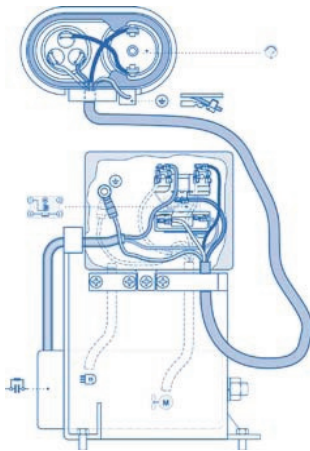
Notice: In order to increase the safety of our product, Embraco proposes the connection of the overload protector to the phase wire (Power Supply). The neutral wire must be connected at the starting relay.

WIRING DIAGRAMS

3 PHASE Electrical Hookup UNJ



CSIR Electrical Hookup UNJ



LEGEND

C Common
S Start

R Run
C' Common
(internal overload protection)

WH White
GNYE Green - Yellow
BK Black

RD Red
BL Blue
BR Brown

 Overload protector

 Start relay

 Start capacitor

 Run capacitor

 Fan motor


 Thermostat

 Earth connection

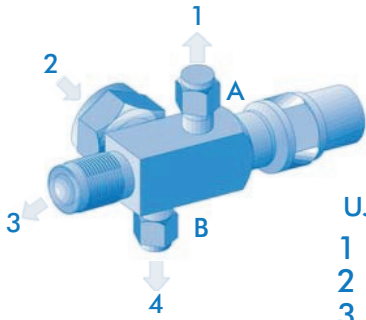
 Terminal box

 Lamp

 Switch

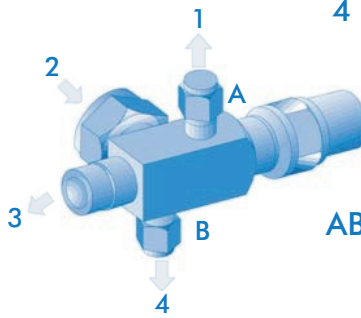
 High / Low pressure switch

VALVES

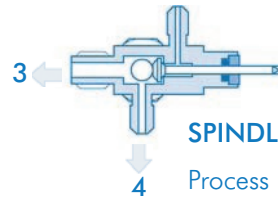


UJ VALVES

- 1 Process and manometer
- 2 Connection to compressor or receiver
- 3 Main connection
- 4 Pressostat port

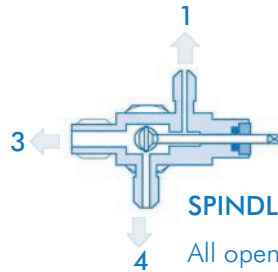


AB Hexagonal blind nuts
(tightening torque 7.0 - 11.5 Nm)



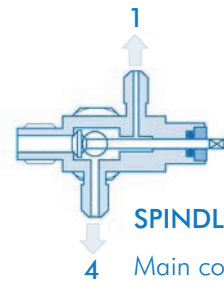
SPINDLE BACK POSITION

Process port closed



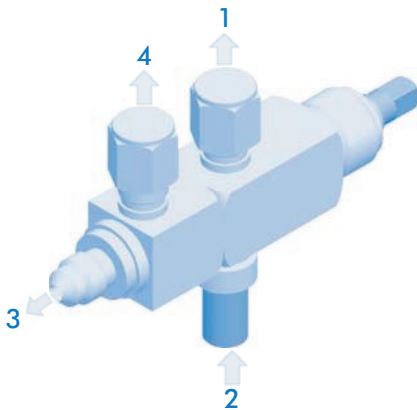
SPINDLE MIDDLE POSITION

All open



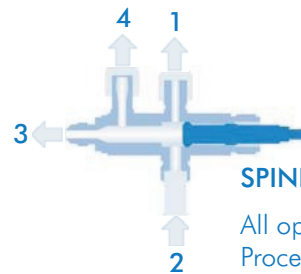
SPINDLE FRONT POSITION

Main connection closed



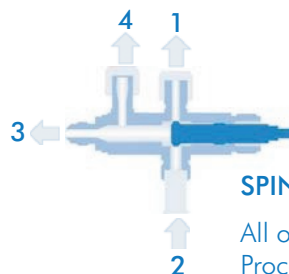
VALVES FIXED ON BRACKET

- 1 Pressostat connection (always open)
- 2 Connection to compressor or receiver
- 3 Main connection
- 4 Process and manometer closed with schrader valve



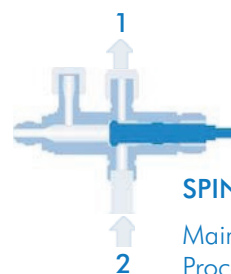
SPINDLE BACK POSITION

All open
Process port closed by schrader



SPINDLE MIDDLE POSITION

All open
Process port closed by schrader



SPINDLE FRONT POSITION

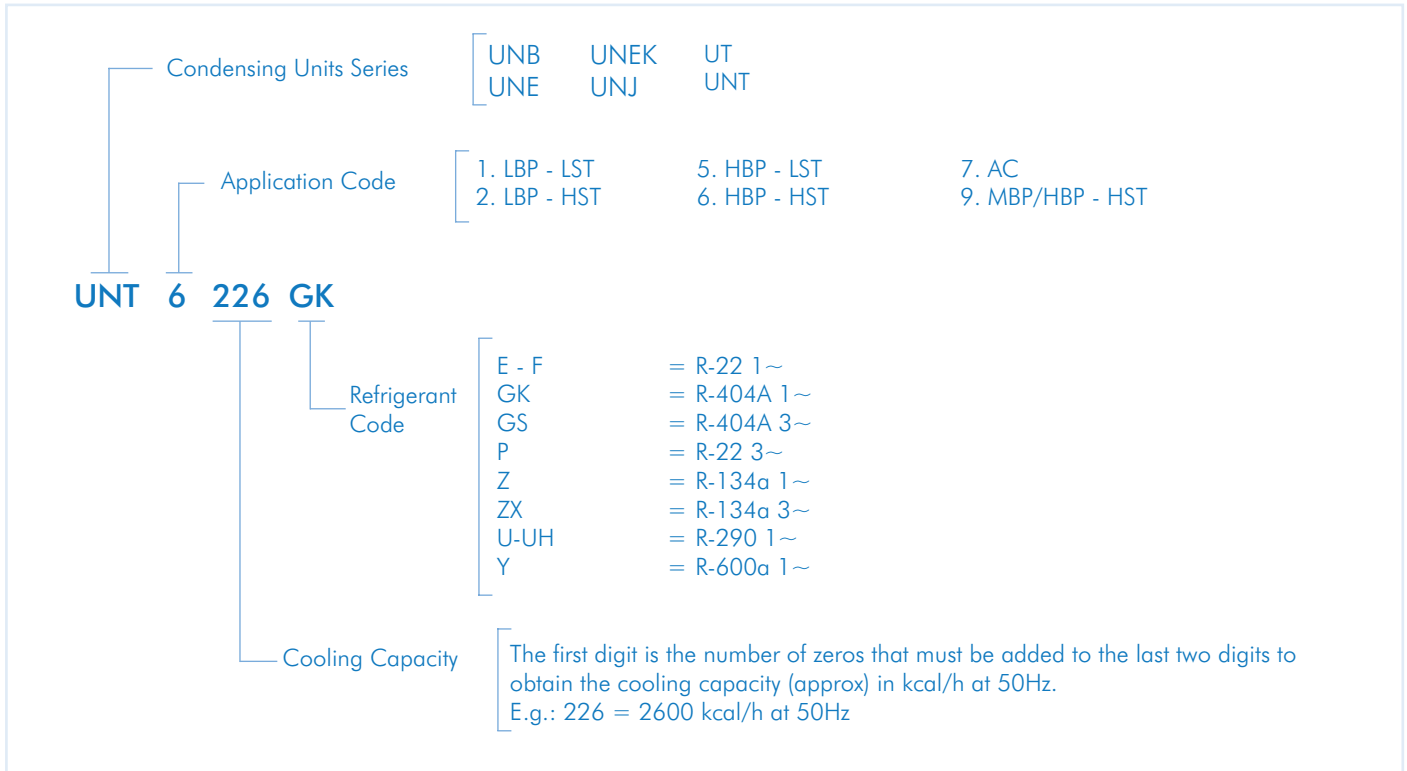
Main connection closed
Process port closed by schrader

RECOMMENDED TORQUE FOR ALL TYPES OF VALVES

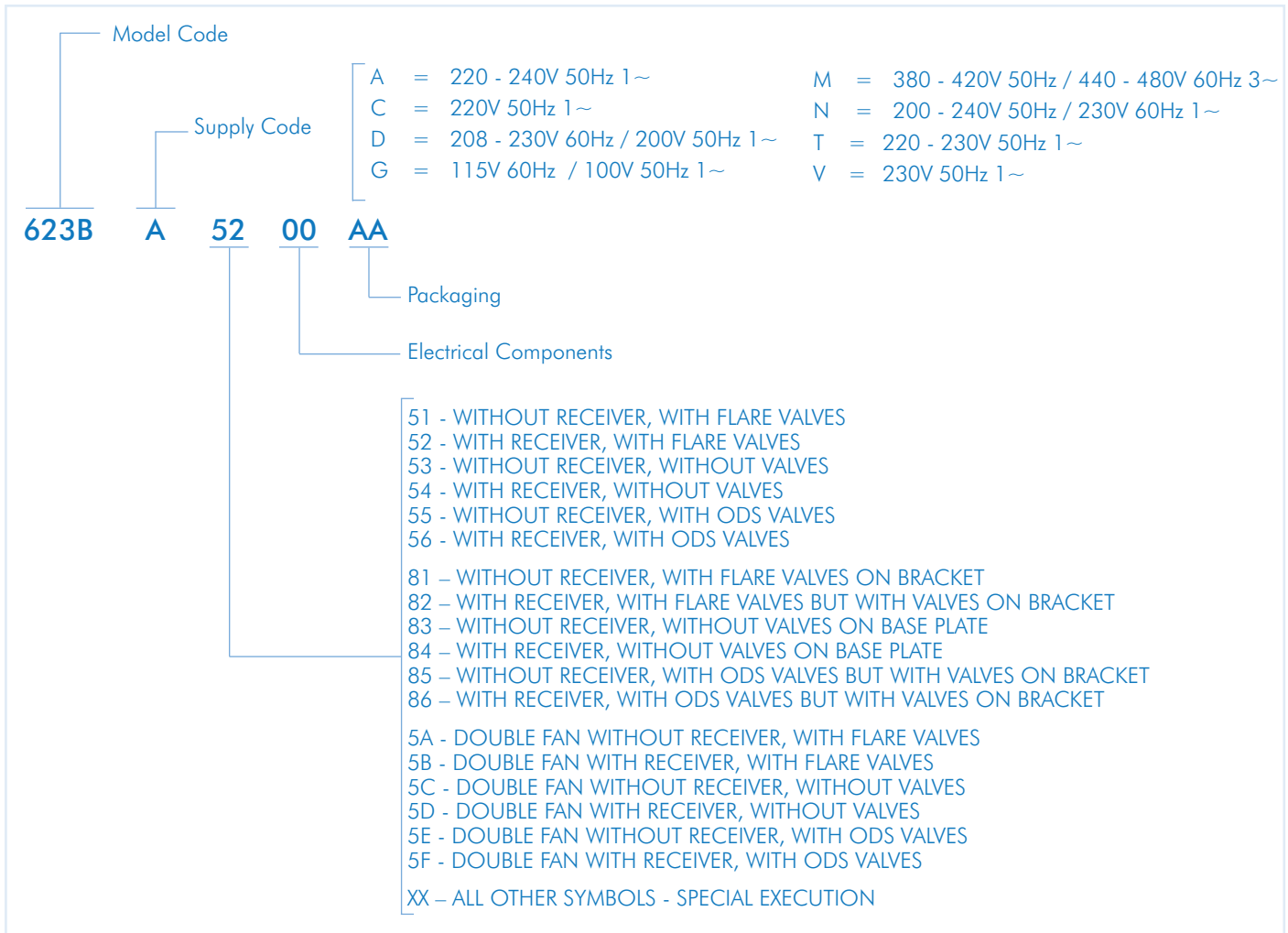
VALVE NOMINAL DIMENSION (SAE)	SPINDLE TORQUE (Nm)
1/4"	8.5 - 13.5
3/8"	8.5 - 13.5
1/2"	8.5 - 13.5
5/8"	8.5 - 13.5

NOMENCLATURE

CONDENSING UNIT MODEL



CONDENSING UNIT BILL OF MATERIAL





Brazil

Rui Barbosa, 1020 - P.O. BOX 91
89219-901 - Joinville - SC - Brazil
Phone: +55 47 3441-2121
Fax: +55 47 3441-2780



Italy

Via Buttigliera 6
10020 - Riva Presso Chieri (Torino) - Italy
P.O. BOX 151 - 10023 Chieri (TO)
Phone: +39 011 943-7111
Fax: +39 011 946-8377
+39 011 946-9950



Slovakia

Odorinska Cesta, 2 - 052-01
Spišská Nová Ves - Slovakia
Phone: +42 153 417-2291
+42 153 417-2293
Fax: +42 153 417-2299

Europe - Sales Office
Zona Industriale D1 - Via Fratelli Gambino, 7
10023 - Chieri (Torino) - Italy
Phone: +39 011 940-5611
Fax: +39 011 940-5656



U.S.A.

2800 Vista Ridge Drive NE
Suwanee, GA 30024-3510
Phone: +1 678 804 1337
Fax: +1 678 804 1338

Mexico - Sales Office
Av. Lazaro Cardenas 2321 - Piso 3
Residencial San Agustin
P.O. BOX 66260 - San Pedro Garza Garcia
Nuevo Leon - Mexico
Phone: +52 81 1001-7102
Fax: +52 81 1001-7142



China

29 Yuhua Road
Area B of Beijing Tianzhu Airport Industrial Zone
101312 - Beijing - China
Phone: +86 10 8048-2255
Fax: +86 10 6725-6825

www.embraco.com

embraco



Embraco is participating in the United Nations Global Compact.