



TEMPERATURE REGULATORS FOR REFRIGERATION

TLY



- 33x75 mm
- 100/240 VAC
- 4 RELAYS
- RS485

				
TLY 25	TLY 26	TLY 27	TLY 28	TLY 29

MECHANICAL CHARACTERISTICS

Housing	Self-extinguishing plastic, UL 94 V0		
Dimensions	33x75mm-depth 64mm	33x75mm-d.75mm	33x75 mm - depth 64 mm
Weight	Approx. 115 g	Approx. 155 g	Approx. 115 g.
Connections	2,5 mm ² screw terminal block		
Mounting	Flush in panel in 29x71 mm hole		
Front panel protection	IP 65 mounted in panel with gasket		

ELECTRICAL DATA

Power supply	12 VAC/DC, 100...240 VAC +/-10%	12 VAC/DC	12, 24 VAC/DC, 100...240 VAC +/-10%
AC Frequency	50 / 60 Hz		
Power consumption	Approx. 3 VA	Approx. 4 VA	Approx. 3 VA

INPUT DATA

Thermistor	2x PTC KTY 81-121 (990 Ω at 25°C) or 2x NTC 103AT-2 (10 kΩ at 25°C), programmable		
Digital input	1 for free voltage contact	1 for free voltage contact in alternative to one probe input	1 for free voltage contact

OUTPUT DATA

Relay	Power Supply	100/240 VAC	12 VAC/DC	12 VAC/DC	12VAC/DC, 24VAC/DC, 100/240VAC		
	OUT1		SPST-NO 16A-AC1, 6A-AC3 250 VAC	SPST-NO 16A-AC1, 6A-AC3 250 VAC	SPST-NO 16A-AC1, 6A-AC3 250 VAC	SPST-NO or SPDT 16A-AC1, 6A-AC3 250 VAC	SPST-NO 16A-AC1, 6A-AC3 250 VAC
OUT2		SPST-NO 5A-AC1, 2A-AC3 250 VAC	SPST-NO 8A-AC1, 3A-AC3 250 VAC	SPDT 8A-AC1, 3A-AC3 250 VAC	SPDT 5A-AC1, 2A-AC3 250 VAC	SPDT 8A-AC1, 3A-AC3 250 VAC	SPDT 8A-AC1, 3A-AC3 250 VAC
OUT3		SPST-NO 5A-AC1, 2A-AC3 250 VAC	SPST-NO 8A-AC1, 3A-AC3 250 VAC	SPDT 8A-AC1, 3A-AC3 250 VAC	--	--	SPST-NO 5A-AC1,2A-AC3 250 VAC
OUT4		SPST-NO 5A-AC1, 2A-AC3 250 VAC	SPST-NO 8A-AC1, 3A-AC3 250 VAC	SPDT 8A-AC1, 3A-AC3 250 VAC	--	--	--

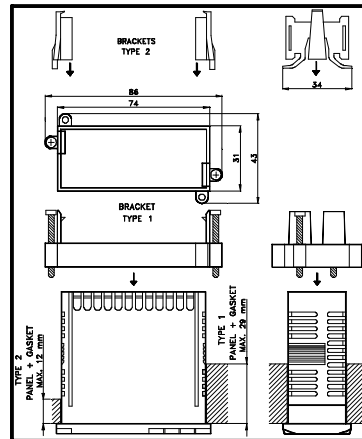
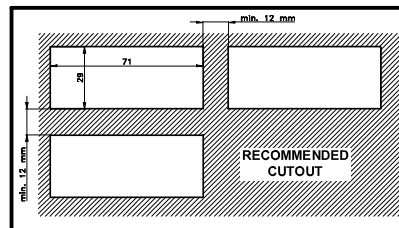
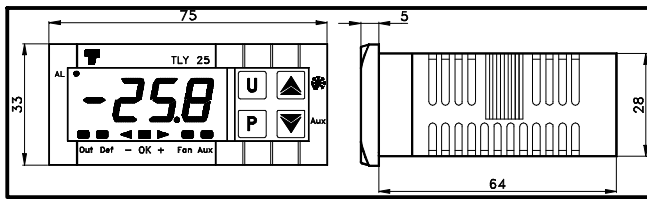
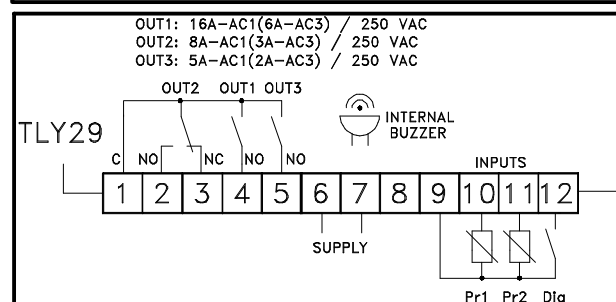
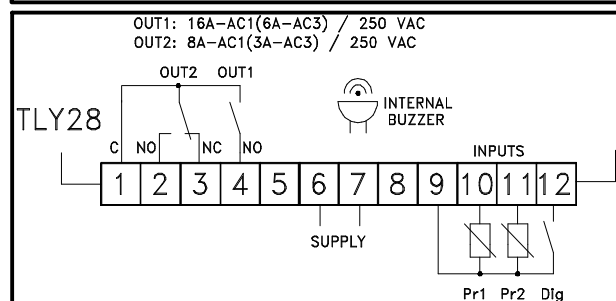
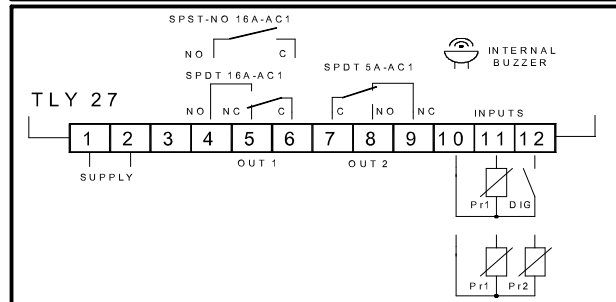
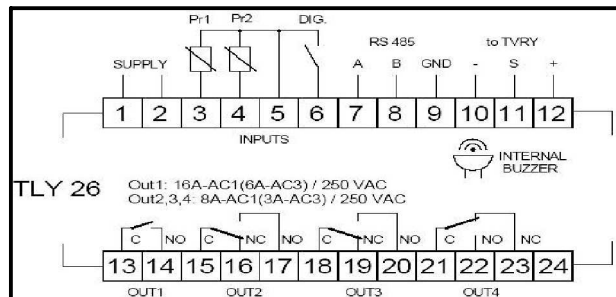
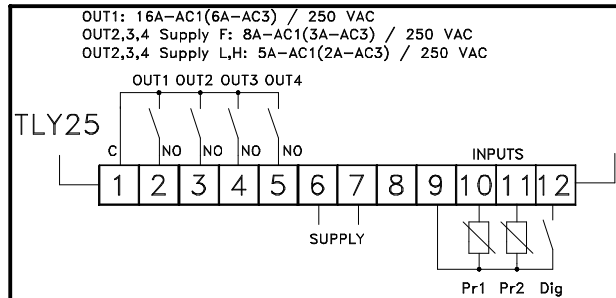
Relay electric life	OUT1 SPST-NO, OUT2, OUT3, OUT4 : 100000 operations OUT1 SPDT : 50000 operations		
---------------------	--	--	--

FUNCTIONAL DATA

Control mode	ON/OFF
Overall accuracy	+/-0,5% end scale
Display resolution	1° or 0,1°
Measuring range	PTC = -50...+150°C NTC = -50...+109°C
Measuring unit	°C - °F, programmable
Sampling rate	130 msec.
Display	4 red digit h=12 mm

Defrost control	Hand-feed/Automatic by time interval cycles or with real time clock by electric heating or hot-gas/reverse cycle	Hand-feed/Automatic with time interval cycles by stopping compressor	Hand-feed/Automatic by time interval cycles or with real time clock by electric heating or hot-gas/reverse cycle
-----------------	--	--	--

Acoustic alarm	--	Internal Buzzer	
Serial communication	RS485 with TLCNV	RS485 on board	RS485 throught external interface TLCNV type
Programming mode	By keyboard or by using fast programming tool "KEY01" or "KEY02"		
Parameters access	Protected by programmable password		
Operating temperature	0...50°C		
Operating humidity	30...95 RH% without condensation		

DIMENSIONS (mm)

CONNECTIONS

CODING

TLY 25	33 x 75	
Description	Codes	Codes Description
Power Supply	F	12 VAC/DC
	H	100..240 VAC
Real Time Clock	C	With RTC
	-	None

TLY 26	33 x 75	
Description	Codes	Codes Description
Real Time Clock	C	With RTC
	-	None
Remote Display Output	D	With remote display outp
	-	None
Serial Communication	S	RS485
	-	None
Output OUT4	R	Relay
	-	None

TLY 27	33 x 75	
Description	Codes	Codes Description
PowerSupply	F	12 VAC/DC
	L	24 VAC/DC
	H	100..240 VAC
Output OUT1	R	Relay SPST-NO 16A-AC1
Output OUT2	S	Relay SPDT 16A-AC1
	R	Relay SPDT 5A-AC1
	-	None
Acoustic alarm	B	Internal Buzzer
	-	None
Second Input	D	Digital Input
	P	2nd probe input

TLY 28	33 x 75	
TLY 29	33 x 75	
Description	Codes	Codes Description
Power Supply	F	12 VAC/DC
	L	24 VAC/DC
	H	100..240 VAC
Acoustic alarm	B	Internal Buzzer
	-	None
Real Time Clock	C	With RTC
	-	None